

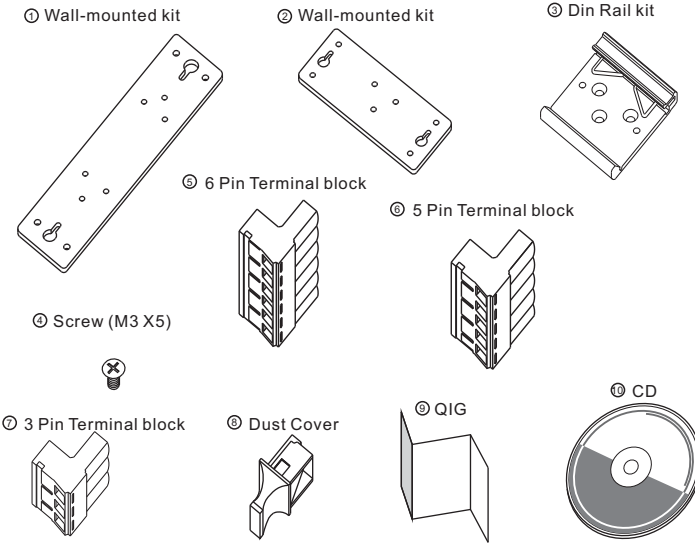


Industrial Serial Device Server

Quick Install Guide

Version 1.0

Accessory



Packing List

4 port Device Server

Model Name	Panel	Model Description	Accessory
IDS-2042P-I	A ①	Industrial 4-port isolated RS422/485 to 2 x 10/100TX LAN with P.O.E. Serial Device Server	⊗ X 1, ⊗ X 1, ⊗ X 6, ⊗ X 1, ⊗ X 4, ⊗ X 2, ⊗ X 1, ⊗ X 1
IDS-2042W-I	B ①	Industrial 4-port isolated RS422/485 to 802.11b/g WLAN & 2x10/100TX LAN Serial Device Server	⊗ X 1, ⊗ X 1, ⊗ X 6, ⊗ X 1, ⊗ X 4, ⊗ X 2, ⊗ X 1, ⊗ X 1
IDS-3042W	C ①	Industrial 4-port RS232/422/485 to 802.11b/g WLAN & 2x10/100TX LAN Serial Device Server	⊗ X 1, ⊗ X 1, ⊗ X 6, ⊗ X 1, ⊗ X 2, ⊗ X 1, ⊗ X 1
IDS-3042 IDS-1042	D ①	Industrial 4-port RS232/422/485 (IDS-3042) / 4-port RS232 (IDS-1042) to 802.11b/g WLAN & 2x10/100TX Serial Device Server	⊗ X 1, ⊗ X 1, ⊗ X 6, ⊗ X 1, ⊗ X 2, ⊗ X 1, ⊗ X 1
IDS-3042P	E ①	Industrial 4-port RS232/422/485 to 2 x 10/100TX LAN with P.O.E. Serial Device Server	⊗ X 1, ⊗ X 1, ⊗ X 6, ⊗ X 1, ⊗ X 2, ⊗ X 1, ⊗ X 1

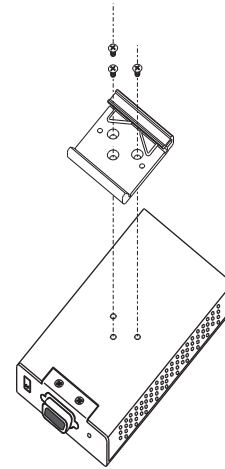
1 port Device Server

Model Name	Panel	Model Description	Accessory
IDS-3012	F ⑤ b	Industrial 1-port RS232/422/485 to 2 x 10/100TX LAN Serial Device Server	⊗ X 1, ⊗ X 1, ⊗ X 3, ⊗ X 1, ⊗ X 2, ⊗ X 1, ⊗ X 1
IDS-1011 IDS-3011	I ④ b c	Industrial 1-port RS232/422/485 (IDS-3011) / 1-port RS232 (IDS-1011) to 1 x 10/100TX LAN Serial Device Server	⊗ X 1, ⊗ X 1, ⊗ X 3, ⊗ X 1, ⊗ X 1, ⊗ X 1, ⊗ X 1
IDS-2011	I ④ a	Industrial 1-port RS422/485 to 1 x 10/100TX LAN Serial Device Server	⊗ X 1, ⊗ X 1, ⊗ X 3, ⊗ X 1, ⊗ X 1, ⊗ X 1, ⊗ X 1
IDS-3010MC IDS-3010SC	G ② b	Industrial 1-port RS232/422/485 to 1 x 100FX Serial Device Server (IDS-3010MC: Multi mode / IDS-3010SC: Single mode)	⊗ X 1, ⊗ X 1, ⊗ X 3, ⊗ X 1, ⊗ X 1, ⊗ X 1
IDS-1011W IDS-3011W	H ③ b c	Industrial 1-port RS232/422/485 (IDS-3011W) / 1-port RS232 (IDS-1011W) to 802.11b/g & 1 x 10/100TX LAN Serial Device Server	⊗ X 1, ⊗ X 1, ⊗ X 3, ⊗ X 1, ⊗ X 1, ⊗ X 1, ⊗ X 1
IDS-2011W	H ③ a	Industrial 1-port RS422/485 to 802.11b/g WLAN & 1 x 10/100TX LAN Serial Device Server	⊗ X 1, ⊗ X 1, ⊗ X 3, ⊗ X 1, ⊗ X 1, ⊗ X 1, ⊗ X 1

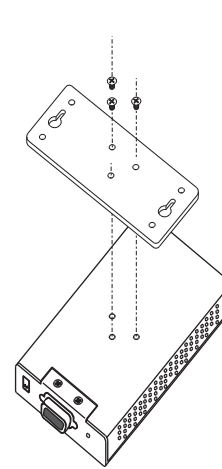
Installation

1-port Series

Din-Rail Install Step

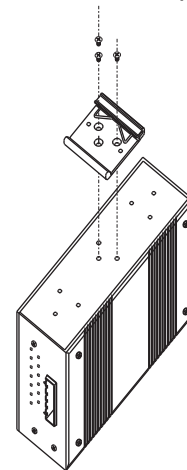


Wall-mounted Install Step

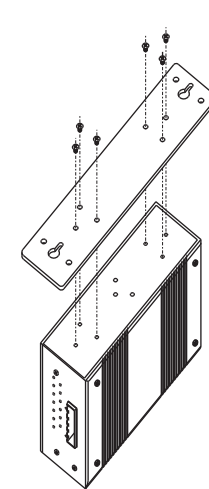


4-port Series

Din-Rail Install Step



Wall-mounted Install Step



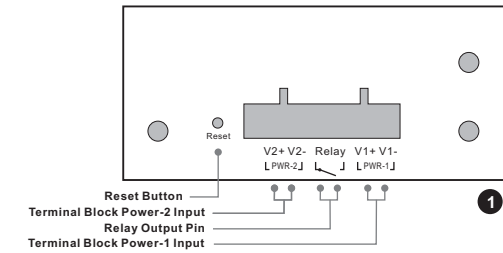
Windows Utility ~ IDS-Tools

IDS-Tools is a powerful Windows utility for IDS. It supports device discovery, device configuration, group setup, group firmware update, monitoring functions...etc. It is easy for you to install and configure devices on the network.

IDS-Tools will search all available IDS in the network. The default IP address of device is "192.168.1.1", and selects the searched device and press "Add" button. You can set static IP address or in DHCP client mode to get IP address automatically. Finally, click "OK" button to add the device.

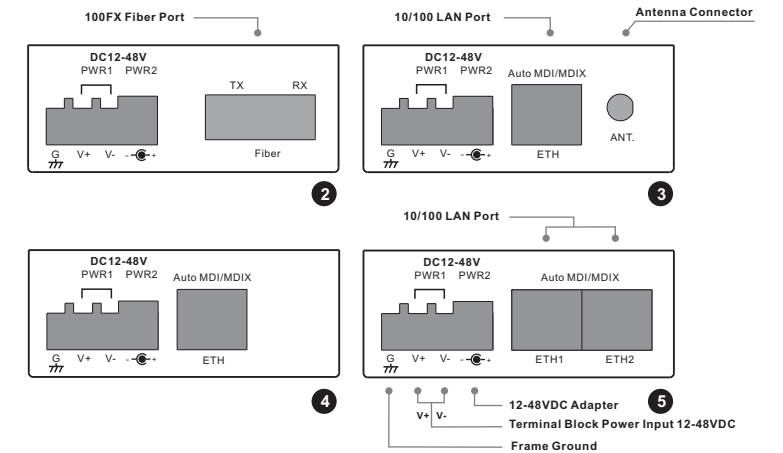
Product Interface

4-port Series

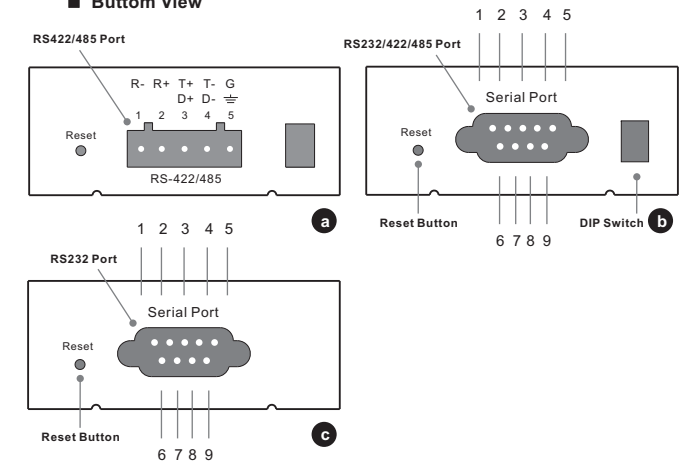


1-port Series

Top View



Bottom View





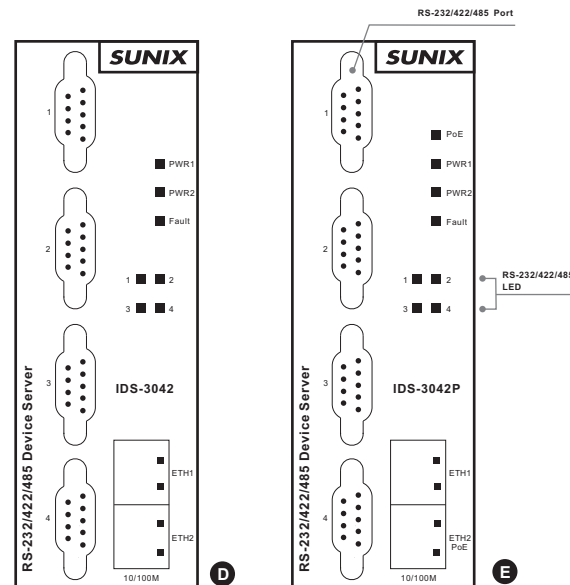
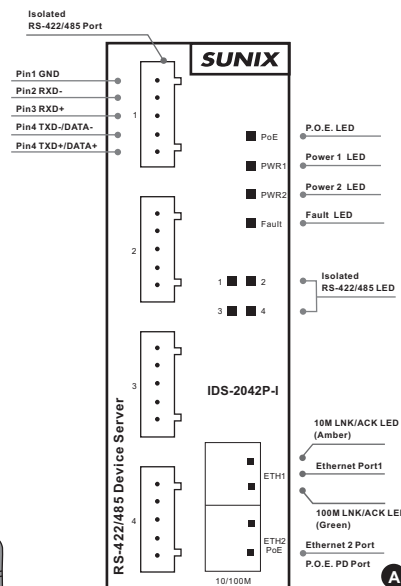
Industrial Serial Device Server

Quick Install Guide

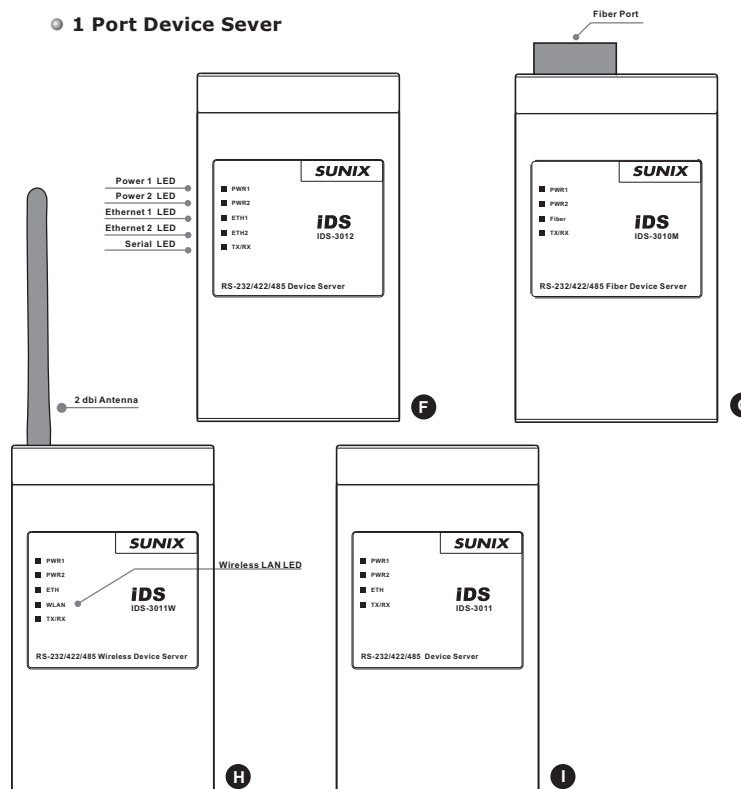
Version 1.0

Front Panel

4 Port Device Server



1 Port Device Server



Pin Assignment

IDS 3000 Series

Operation Mode	1 Port Device Server Serial Port Pin# Description									Termination	
	1	2	3	4	5	6	7	8	9	SW1	SW2
RS232	DCD	RXD	TXD	DTR	GND	DSR	RTS	CTS	RI	OFF	OFF
RS422	RXD-	RXD+	TXD+	TXD-	GND					ON	ON
RS485 (4 wire)	RXD-	RXD+	TXD+	TXD-	GND					ON	ON
RS485 (2 wire)			DATA+	DATA-	GND					OFF	ON
No Termination											
										OFF	OFF

Operation Mode	4 Port Device Server Serial Port Pin# Description								
	1	2	3	4	5	6	7	8	9
RS232	DCD	RXD	TXD	DTR	GND	DSR	RTS	CTS	RI
RS422	RXD-	RXD+	TXD+	TXD-	GND				
RS485 (4 wire)	RXD-	RXD+	TXD+	TXD-	GND				
RS485 (2 wire)			DATA+	DATA-	GND				

IDS 2000 Series

Operation Mode	1 Port Device Server Serial Port Pin# Description					Termination	
	1	2	3	4	5	SW1	SW2
RS422	RXD-	RXD+	TXD+	TXD-	GND	ON	ON
RS485 (4 wire)	RXD-	RXD+	TXD+	TXD-	GND	ON	ON
RS485 (2 wire)			DATA+	DATA-	GND	OFF	ON
No Termination							
						OFF	OFF

Operation Mode	4 Port Device Server Serial Port Pin# Description				
	1	2	3	4	5
RS422	GND	RXD-	RXD+	TXD-	TXD+
RS485 (4 wire)	GND	RXD-	RXD+	TXD-	TXD+
RS485 (2 wire)	GND			DATA-	DATA+

IDS 1000 Series

Operation Mode	1 Port Device Server Serial Port Pin# Description								
	1	2	3	4	5	6	7	8	9
RS232	DCD	RXD	TXD	DTR	GND	DSR	RTS	CTS	RI

Operation Mode	4 Port Device Server Serial Port Pin# Description								
	1	2	3	4	5	6	7	8	9
RS232	DCD	RXD	TXD	DTR	GND	DSR	RTS	CTS	RI



Copyright© by SUNIX Co, LTD.
All rights reserved.



TEL: +886-2-8913-1987
FAX: +886-2-8913-1986

Website: www.sunix.com.tw
E-mail: info@sunix.com.tw