

EMD-8204/08
Ethernet Digital I/O module
User's Manual (V1.0)

健昇科技股份有限公司

JS AUTOMATION CORP.

新北市汐止區中興路 100 號 6 樓
6F., No.100, Zhongxing Rd.,
Xizhi Dist., New Taipei City, Taiwan
TEL : +886-2-2647-6936
FAX : +886-2-2647-6940
<http://www.automation.com.tw>
<http://www.automation-js.com/>
E-mail : control.cards@automation.com.tw

Correction record

Version	Record
1.0	firmware version 1.0 up

Contents

1.	Forward.....	4
2.	Features.....	5
3.	Specifications.....	6
3.1	Digital input	6
3.2	Digital output	6
3.3	Ethernet	6
3.4	General.....	6
4.	Layout and dimensions	7
4.1	EMD-8204	7
4.2	EMD-8208	8
5.	Pin definitions.....	9
5.1	JM1 pin definitions (EMD-8204)	9
5.2	JM1 pin definitions (EMD-8208)	9
5.3	JM2 pin definitions	9
5.4	JM3 pin definitions(EMD-8208 Only)	9
6.	I/O Interface diagram.....	10
6.1	Input diagram	10
6.2	Output diagram	10
7.	Applications	11
8.	Ordering information	12

Notes on hardware installation

Please register as user's club member to download the
“Step_by_step_installation_of_Ethernet_module” document from <http://automation.com.tw>

1. **Forward**

Thank you for your selection of Ethernet module 8204/08 digital input output interface.

Thanks to the booming of network, Ethernet become a reliable and low cost solution for data communication. To utilize the Ethernet as data communication highway of industrial control devices is more attractive than ever. EMD8204/08 module is a simple web based digital I/O control module. We also provide the dll's of Window's or Linux system, enabling you coding the flexible application as you need. Stable, high reliability and remote addressable module give you a new approach of application.

In the same series:

EMD-8216 16 I/O Ethernet DIO module

Any comment is welcome,
please visit our website

<http://www.automation.com.tw/>

<http://www.automation-js.com/> for the up to date information.

2. Features

- Over-voltage and over-current protection on digital input
- Various IO combinations
 - 4 photo isolated input and 4 relay output (EMD-8204)
 - 8 photo isolated input and 8 relay output (EMD-8208)
- Digital I/P as counter input
- Direct web page control
- IP re-assignment
- 10/100M auto detection
- Software key function

3. Specifications

3.1 Digital input

- 3.1.1 Photo isolated input : 4 (EMD-8204)
8 (EMD-8208)
- 3.1.2 Logic high level: 3.15V(min)
- 3.1.3 Logic low level: 1.35V(max)
- 3.1.4 Over-voltage protection: 60Vdc(max)
- 3.1.5 Over-current protection: 50mA(max)
- 3.1.6 Counter input : any digital input
- 3.1.7 Counter speed : 200Hz (max) square wave

3.2 Digital output

- 3.2.1 Relay output points: 4 (EMD-8204)
8 (EMD-8208)
- 3.2.2 Relay capacity: 3A@250Vac, 3A @30Vdc
- 3.2.3 Transistor capacity: 500mA(peak), 45Vdc(max)

3.3 Ethernet

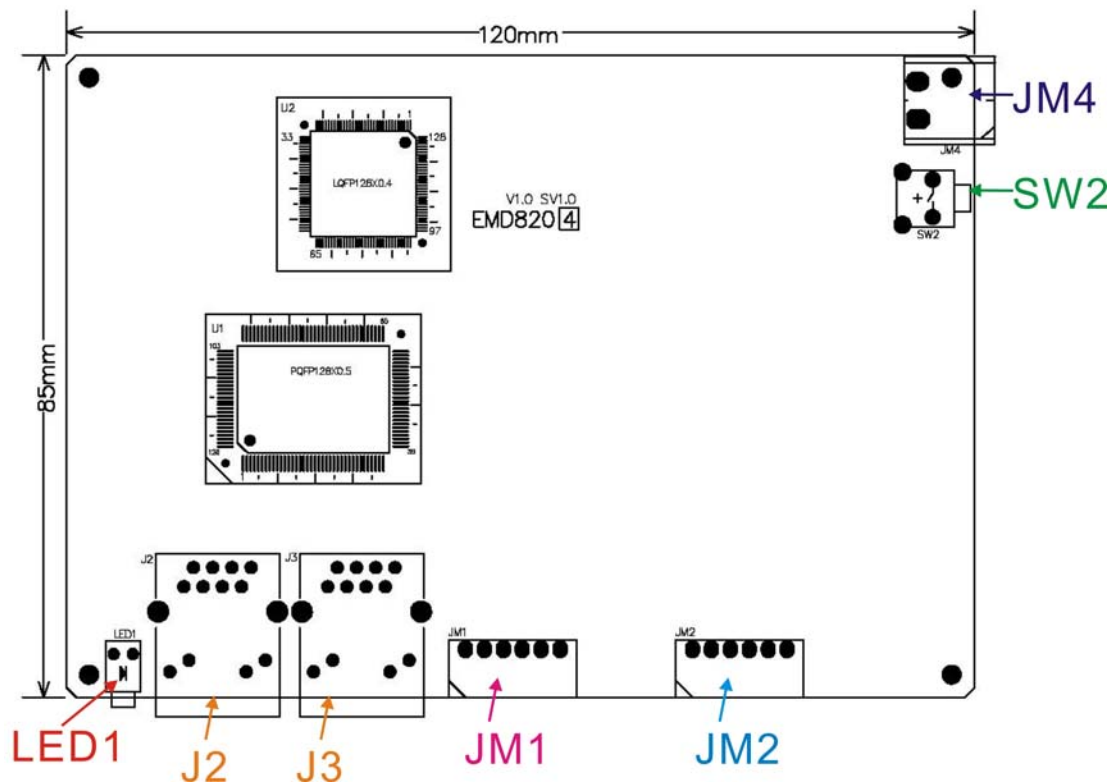
- 3.3.1 10/100M auto switch x 2 port

3.4 General

- 3.4.1 Power requirement: 24Vdc
- 3.4.2 Operation Temperature: 0~+70 degree C
- 3.4.3 Storage Temperature: -20 ~+80 degree C
- 3.4.4 Operation Humidity: 5~95% RH, non-condensing
- 3.4.5 Dimension: 107.6(D)*135.8(W)*34(H) mm
4.3(D)*5.4(W)*1.4(H) in

4. Layout and dimensions

4.1 EMD-8204



LED1: system active LED

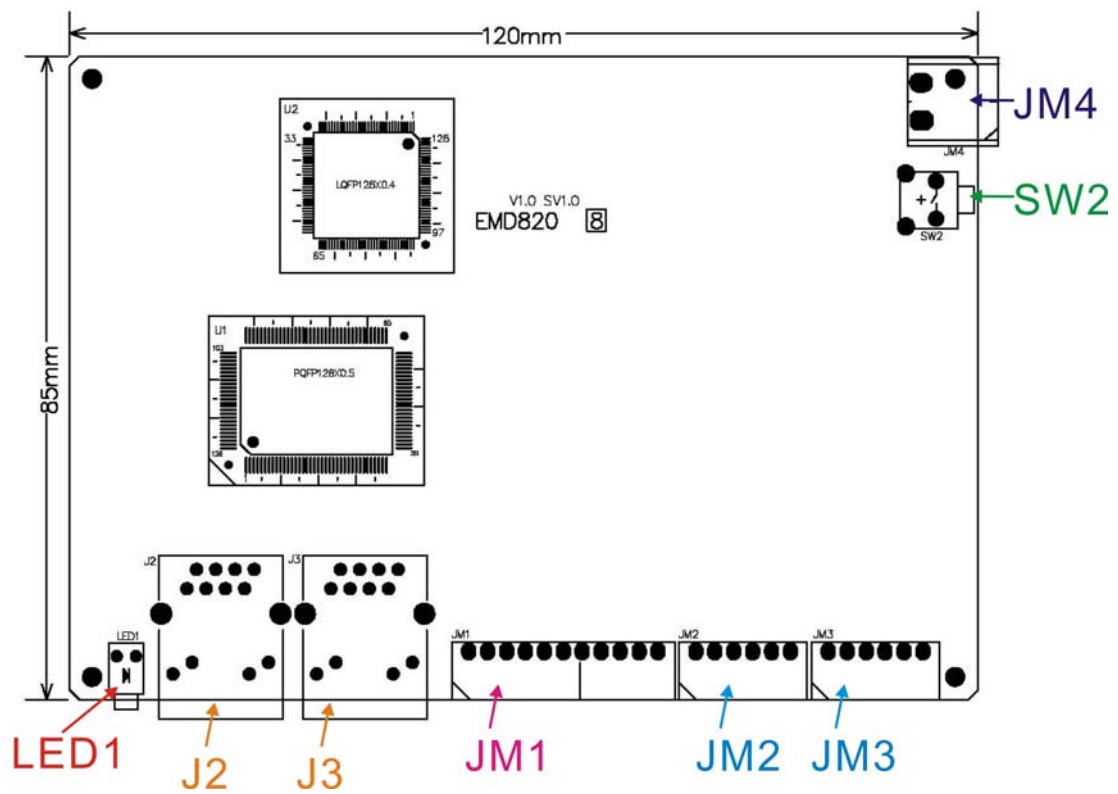
J2,J3: Ethernet RJ45 socket

JM1, JM2 I/O connector

JM4: external power 24V connector

SW2: system reset switch

4.2 EMD-8208



LED1: system active LED

J2,J3: Ethernet RJ45 socket

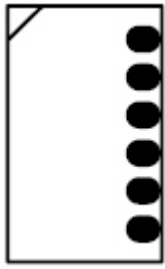
JM1, JM2, JM3 I/O connector

JM4: external power 24V connector

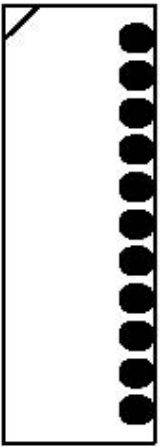
SW2: system reset switch

5. Pin definitions

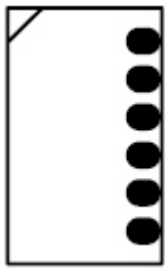
5.1 JM1 pin definitions (EMD-8204)

+Ve*	1	
IN 0	2	
IN 1	3	
IN 2	4	
IN 3	5	
EXTG	6	

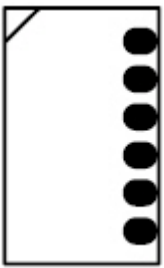
5.2 JM1 pin definitions (EMD-8208)

+Ve*	1	
IN 0	2	
IN 1	3	
IN 2	4	
IN 3	5	
EXTG	6	
IN 4	7	
IN 5	8	
IN 6	9	
IN 7	10	
EXTG	11	

5.3 JM2 pin definitions

OUT 0	1	
OUT 1	2	
COM 0	3	
OUT 2	4	
OUT 3	5	
COM 1	6	

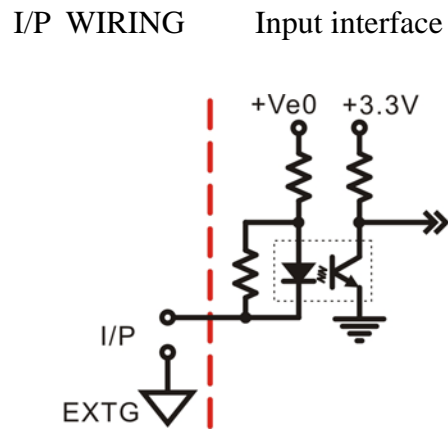
5.4 JM3 pin definitions(EMD-8208 Only)

OUT 4	1	
OUT 5	2	
COM 2	3	
OUT 6	4	
OUT 7	5	
COM 3	6	

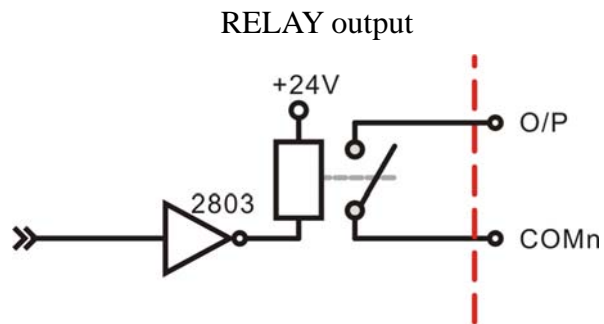
* +Ve (+24V)

6. I/O Interface diagram

6.1 Input diagram



6.2 Output diagram



7. Applications

- For remote contact sensing
 - window or door open/close signal sensing
 - alarm signal sensing
 - fire detector signal sensing
- For remote contact make or break control
 - window or door open close control
 - light control
 - power on/off control

8. **Ordering information**

PRODUCT	DESCRIPTIONS
EMD-8204	Ethernet module, 4 photo isolated input and 4 relay output
EMD-8208	Ethernet module, 8 photo isolated input and 8 relay output
JD52000	110/220Vac to 24Vdc @1.5A power supply
JS52026	110/220Vac to 24Vdc @0.75A power adapter