



Quick Installation Guide

IES-150B

Industrial Unmanaged Switch

Introduction

IES-150B is unmanaged Ethernet switch with 5x10/100Base-T(X) ports. With very compact size of housing, you can install **IES-150B** easily. In addition, IES-150B is with rigid IP-30 housing design and can operate under harsh environment. The extended operating temperature range from -40°C to 70°C is ready and can satisfy most requirement of operation.

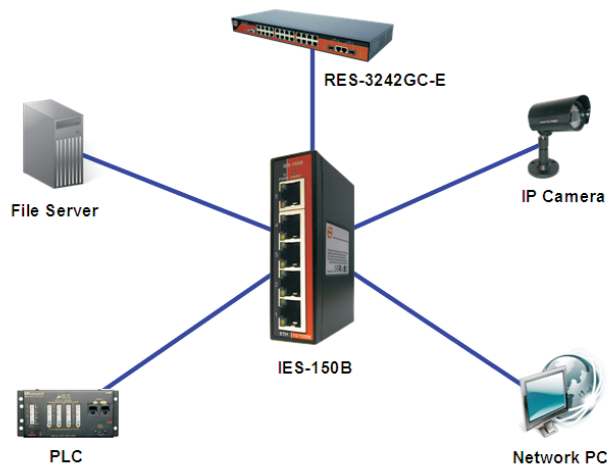


Features

- > Supports 5 ports 10/100Base-T(X)
- > Supports auto-negotiation and auto-MDI/MDI-X
- > Supports store and forward transmission
- > Supports flow control
- > Compact size for easily installation
- > Rigid IP-30 housing design
- > DIN-Rail and panel mounting enabled

Practical Operation

Connections of Ethernet devices

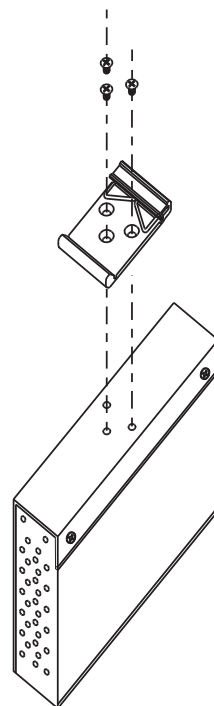


Specifications

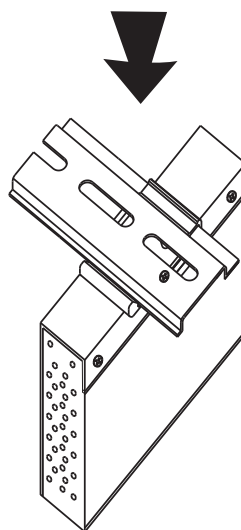
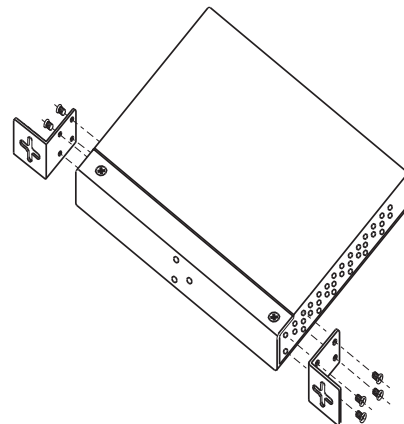
ORing Switch Model	IES-150B
Physical Ports	
10/100 Base-T(X) Ports in RJ45 Auto MDI/MDIX	5
Technology	
Ethernet Standards	IEEE 802.3 for 10Base-T, IEEE 802.3u for 100Base-T(X) and 100Base-FX, IEEE 802.3x for Flow control
Processing	Store-and-Forward
LED indicators	
Power indicator	Green: Power LED x2
10/100TX RJ45 Port Indicator	Green for port Link/Act. Amber for duplex indicator
Power	
Input power	Dual 12~48 VDC voltage power input at 4-pin terminal block
Power consumption(Typ.)	3 Watts
Overload current protection	Present
Reverse polarity protection	Present on terminal block
Physical Characteristic	
Enclosure	IP-30
Dimension (W x D x H)	26.1(W) x 70(D) x 95(H)mm (1.03x 2.76 x 3.74inch.)
Weight (g)	205 g
Environmental	
Storage Temperature	-40 to 85°C (-40 to 185°F)
Operating Temperature	-40 to 70°C (-40 to 158°F)
Operating Humidity	5% to 95% Non-condensing
Regulatory approvals	
EMI	FCC Part 15, CISPR (EN55022) class A
EMS	EN61000-4-2 (ESD), EN61000-4-3 (RS), EN61000-4-4 (EFT), EN61000-4-5 (Surge), EN61000-4-6 (CS), EN61000-4-8, EN61000-4-11
Shock	IEC60068-2-27
Free Fall	IEC60068-2-32
Vibration	IEC60068-2-6
Safety	EN60950-1
Warranty	5 years

Installation

Din-Rail Install Step



Wall-mounted Install Step



ORing Industrial Networking Corp.

Copyright© 2009 ORing
All rights reserved.



TEL: +886-2-2918-3036 Website: www.oring-networking.com
FAX: +886-2-2918-3084 E-mail: support@oring-networking.com

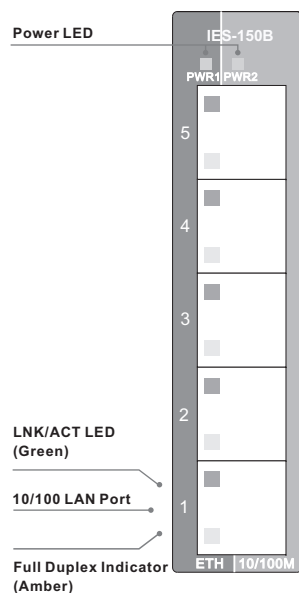


Quick Installation Guide

IES-150B

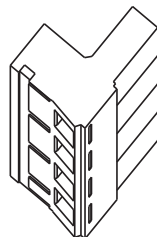
Industrial Unmanaged Switch

Front Panel



Accessory

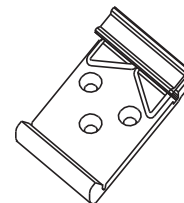
- ① 4-Pin Terminal block
- ② Dust Cover (RJ-45)
- ③ Screw (M3 X3)



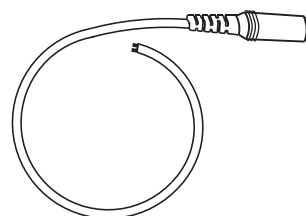
- ④ Wall-mounted kit



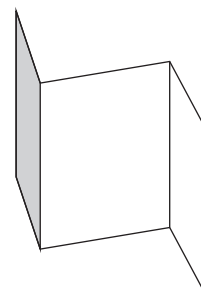
- ⑤ 25mm DIN-Rail kit



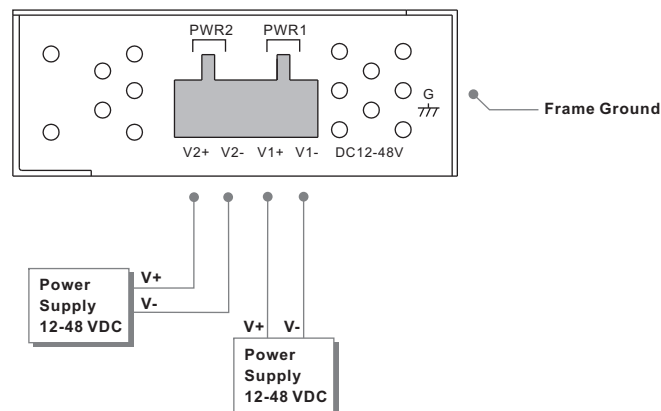
- ⑥ Power Cable with power jack



- ⑦ QIG



Power Connection Guide



Packing list

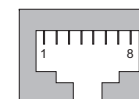
Model name	Model Description	Accessory
IES-150B	Industrial 5-port mini type unmanaged Ethernet switch with 5x10/100Base-T(X)	⊙X 1, ⊙X 5, ⊙X 8, ⊙X 2, ⊙X 1, ⊙X 1, ⊙X 1

Communication Connections

10/100Base-T(X) Ethernet Port Connection

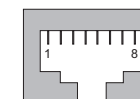
RJ45 (8-pin, MDI) Port Pinouts

Pin	Single
1	Tx+
2	Tx-
3	Rx+
6	Rx-

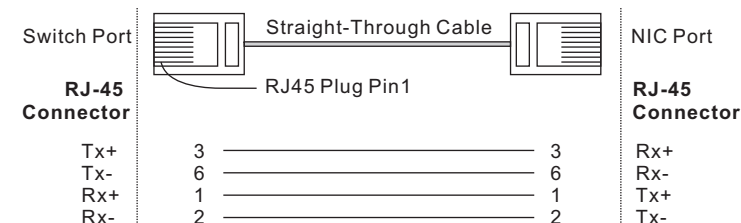


RJ45 (8-pin, MDI-X) Port Pinouts

Pin	Single
1	Rx+
2	Rx-
3	Tx+
6	Tx-



RJ45 (8-pin) to RJ45 (8-Pin) Straight-Through Cable Wiring



RJ45 (8-pin) to RJ45 (8-Pin) Cross-Over Cable Wiring

