

Quick Installation Guide

IGPS-1411GTP-24V

Industrial Unmanaged Gigabit PoE Switch

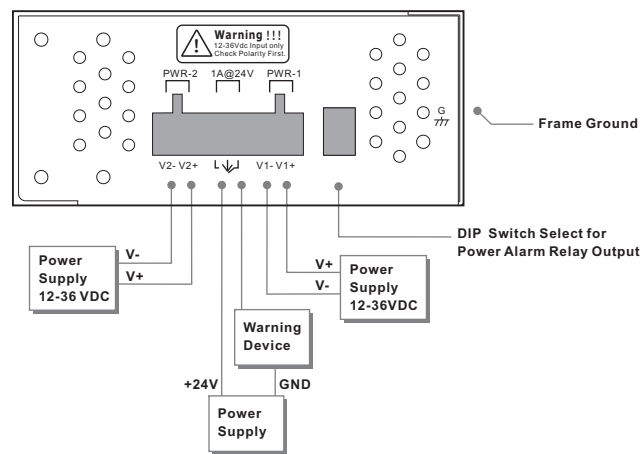
Introduction

IGPS-1411GTP-24V is an unmanaged PoE Ethernet switch with P.S.E. function. IGPS-1411GTP-24V supports Power over Ethernet, a system to transmit electrical power, along with data, to remote devices over standard twisted-pair cable in an Ethernet network. IGPS-1411GTP-24V has 4x10/100/1000Base-T(X) P.S.E. (Power Sourcing Equipment ports), 1 additional Gigabit port, and 1x100/1000Base-X SFP port. The SFP port optical network speed can be set by changing the settings of the DIP-Switch below. P.S.E. is a device (switch or hub for instance) that will provide power in a PoE setup. IGPS-1411GTP-24V can boost low voltage to get higher voltage and compliant with IEEE802.3at requirement. The wide operating temperature range from -40°C to 60°C can satisfy most of operating environment. Therefore, the switch is one of the most reliable choices for PoE Ethernet application.

Features

- > IGPS-1411GTP-24V provide 4x10/100/1000Base-T(X) PoE (P.S.E.) ports
- > Support P.S.E. compliant with on IEEE 802.3at standard up to 30 Watts per port
- > SFP port supports 100Base-FX and 1000Base-X speed
- > Support auto-negotiation and auto-MDI/MDI-X
- > Support store and forward transmission
- > Support 9K Jumbo Frame
- > Support flow control
- > Rigid IP-30 housing design
- > DIN-Rail and wall mounting enabled

Power Connection Guide



DIP Switch Function

DIP-1	DIP-2	Description
OFF	OFF	Power failure relay alarm disabled
ON	OFF	PWR-1 failure, relay alarm enabled
OFF	ON	PWR-2 failure, relay alarm enabled
ON	ON	PWR-1 or PWR-2 failure, relay alarm enabled

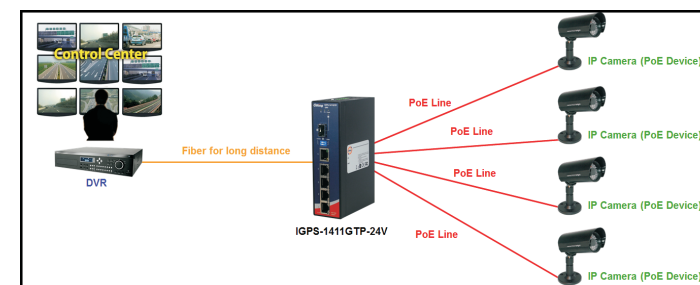
Specifications

ORing Switch Model	IGPS-1411GTP-24V
Physical Ports	
10/100/1000Base-T(X) P.S.E. Port in RJ45 Auto MDI/MDIX	4
10/100/1000Base-T(X) Port in RJ45 Auto MDI/MDIX	1
100/1000Base-X SFP port	1
Technology	
Ethernet Standards	IEEE 802.3 for 10Base-T IEEE 802.3u for 100Base-TX and 100Base-FX IEEE 802.3ab for 1000Base-T IEEE 802.3z for 1000Base-X IEEE 802.3x for Flow control IEEE 802.3at PoE specification (up to 30 Watts per port for P.S.E.)
MAC Table	1K MAC addresses
Processing	Store-and-Forward
LED Indicators	
Power indicator	Green: Power LED x2
Fault indicator	Amber: Indicate PWR1 or PWR2 failure
10/100/1000Base-T(X) RJ45 port indicator and PoE indicator (P1~P4)	Green for port Link/Act. Green for power injected.
10/100/1000Base-T(X) RJ45 port indicator (P5)	Green for port Link/Act. Amber for 100Mbps indication
100/1000Base-X SFP port indicator	Green for port Link/Act.
DIP-Switch	
DIP-Switch 1	Power-1 failed warning : (ON) enable, (OFF) disable
DIP-Switch 2	Power-2 failed warning : (ON) enable, (OFF) disable
Fault Contact	
Relay	Relay output to carry capacity of 1A at 24 VDC
Power	
Redundant Input power	Dual DC inputs 12-36VDC on 6-pin terminal block
Power consumption(Typ.)	7.5W (power device not included)
Overload current protection	Present
Reverse polarity protection	Not Present
Physical Characteristic	
Enclosure	IP-30
Dimension (W x D x H)	41(W)x94.9(D)x144.3(H) mm (1.62x3.74x5.68inch.)
Weight (g)	615g
Environmental	
Storage Temperature	-40 to 85°C (-40 to 185°F)
Operating Temperature	-40 to 60°C (-40 to 140°F)
Operating Humidity	5% to 95% Non-condensing
Regulatory Approvals	
EMI	FCC Part 15, CISPR (EN55022) class A
EMS	EN61000-4-2 (ESD), EN61000-4-3 (RS), EN61000-4-4 (EFT), EN61000-4-5 (Surge), EN61000-4-6 (CS), EN61000-4-8, EN61000-4-11
Shock	IEC60068-2-27
Free Fall	IEC60068-2-32
Vibration	IEC60068-2-6
Safety	EN60950-1
Warranty	5 years

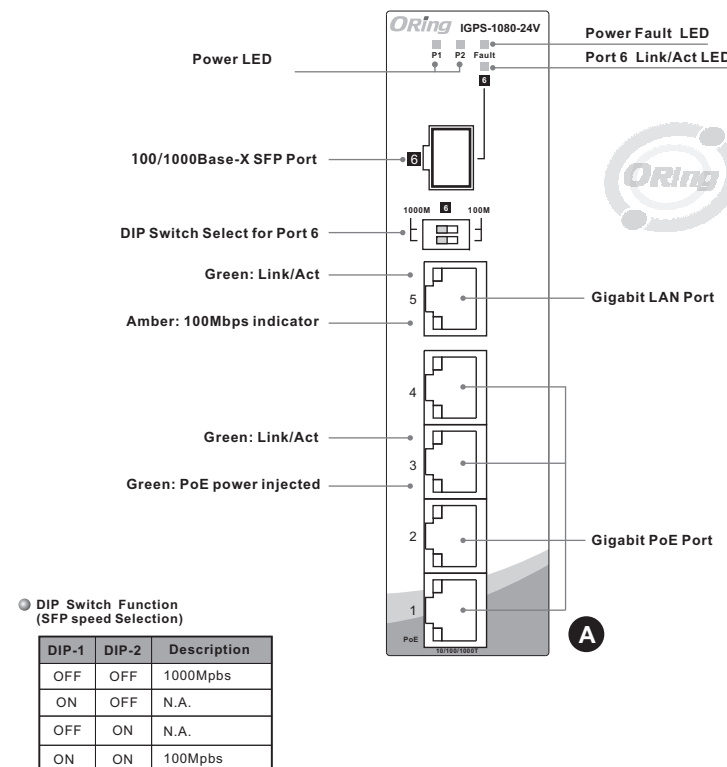
Practical Operation

IGPS-1411GTP-24V can be used in connecting several PoE P.D. Ethernet devices like IP-Camera or other Ethernet devices. In addition, there are two different power inputs at terminal block to avoid interruption caused by power down. When the primary DC power input fails, the backup power input will take over immediately to guarantee a non-stop operation.

Connections of Ethernet devices



Practical Operation





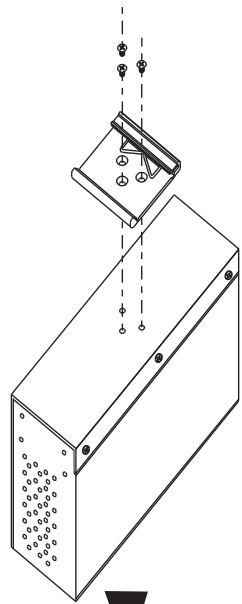
Quick Installation Guide

IGPS-1411GTP-24V

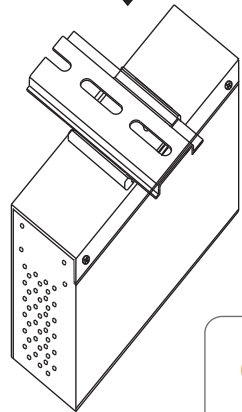
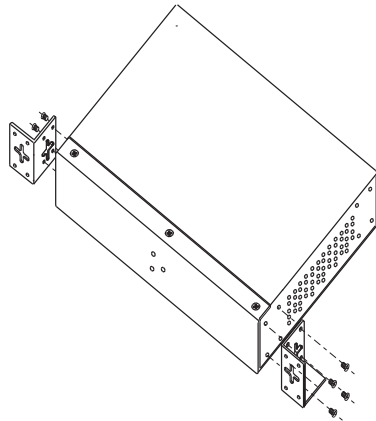
Industrial Unmanaged Gigabit PoE Switch

Installation

DIN-Rail Install Step

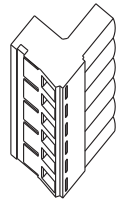


Wall-mounted Install Step



Accessory

① 6-Pin Terminal block



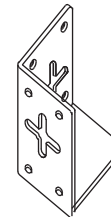
② Dust Cover (RJ-45)



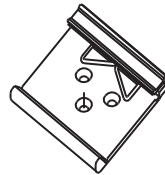
③ Round Screw (M3 X3)



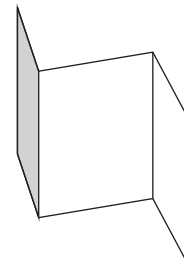
④ Wall-mounted kit



⑤ 40mm DIN-Rail kit



⑥ QIG



⑦ Dust Cover (SFP)



Communication Connections

1000Base-T Ethernet Connection

RJ45 (8-pin, MDI) Port Pinouts

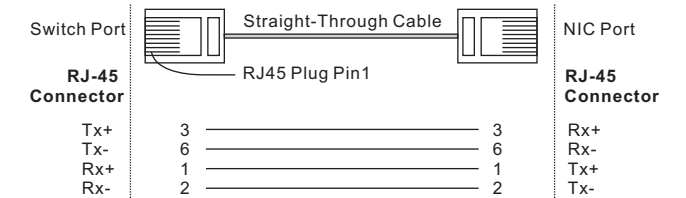
Pin	MDI
1	BI_DA+
2	BI_DA-
3	BI_DB+
4	BI_DC+
5	BI_DC-
6	BI_DB-
7	BI_DD+
8	BI_DD-

RJ45 (8-pin, MDI-X) Port Pinouts

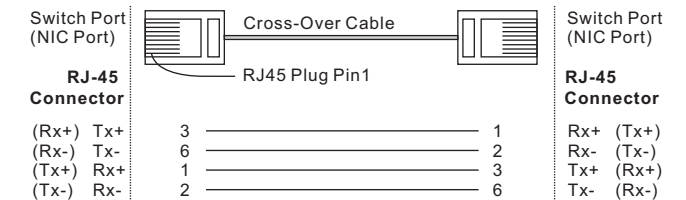
Pin	MDI-X
1	BI_DB+
2	BI_DB-
3	BI_DA+
4	BI_DD+
5	BI_DD-
6	BI_DA-
7	BI_DC+
8	BI_DC-

10/100Base-T(X) Ethernet Connection

RJ45 (8-pin) to RJ45 (8-Pin) Straight-Through Cable Wiring



RJ45 (8-pin) to RJ45 (8-Pin) Cross-Over Cable Wiring



PoE Pin Definition

10/100Base-T(X) P.S.E. RJ-45 port

RJ45 Pin Definition	
Pin No.	Description
# 1	TD+ with PoE Power input +
# 2	TD- with PoE Power input +
# 3	RD+ with PoE Power input -
# 6	RD- with PoE Power input -

1000Base-T P.S.E. RJ-45 port

RJ45 Pin Definition	
Pin No.	Description
# 1	BI_DA+ with PoE Power input +
# 2	BI_DA- with PoE Power input +
# 3	BI_DB+ with PoE Power input -
# 4	BI_DC+
# 5	BI_DC-
# 6	BI_DB- with PoE Power input -
# 7	BI_DD+
# 8	BI_DD-

Packing list

Model name	Front Panel:	Model Description	Accessory
IGPS-1411GTP-24V	A	Industrial 6-port unmanaged Gigabit PoE Ethernet switch with 4x10/100/1000Base-T(X); P.S.E., 1x10/100/1000Base-T(X) and 1x100/1000Base-X, SFP socket, 24V power inputs	① X 1, ② X 5, ③ X 8, ④ X 2, ⑤ X 1, ⑥ X 1, ⑦ X 1

ORing Industrial Networking Corp.
 Copyright© 2012 ORing All rights reserved.
 TEL: +886-2-2218-1066 Website: www.oring-networking.com
 FAX: +886-2-2218-1014 E-mail: support@oring-networking.com