

Quick Installation Guide

IGS-9080 Series







Industrial Managed Gigabit Switch

Introduction

The **IGS-9080 series** is a managed industrial Ethernet switch with eight 10/100/1000Base-T(X) ports. The series consists of the **IGPS-9080** and **IGPS-9080-NP** models to meet different application needs. The former supports IEEE 1588v2 clock synchronization while the latter does not. The switch supports Ethernet Redundancy protocol, O-Ring (recovery time < 30ms over 250 units of connection) and MSTP (RSTP/STP compatible) to protect mission-critical applications from network interruptions or temporary malfunctions with fast recovery technology. With a wide operating temperature from -40°C to 70°C, the device can be managed centrally via ORing's proprietary Open-Vision platform as well as via Web-based interfaces, Telnet, and console (CLI). The switch is one of the most reliable choices for highly-managed and fiber Ethernet applications.

Package Contents




The device is shipped with the following items. If any of these items is missing or damaged, please contact your customer service representative for assistance.

Contents	Pictures	Number
IGS-9080 / IGS-9080-NP		X 1
CD		X 1
DIN-rail Kit		X 1
Wall-mount Kit		X 1
Console Cable		X 1
QIG		X 1

Preparation

Before you begin installing the switch, make sure you have all of the package contents available and a PC with Microsoft Internet Explorer 6.0 or later, for using web-based system management tools.

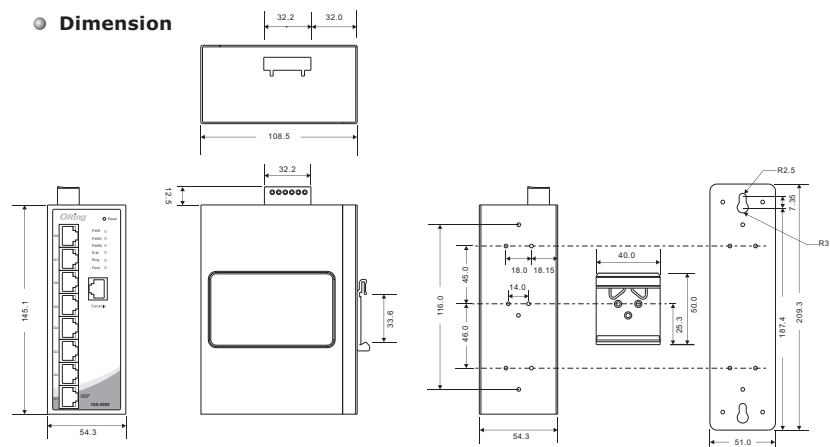
Safety & Warnings

-  **Elevated Operating Ambient:** If installed in a closed or multi-unit rack assembly, the operating ambient temperature of the rack environment may be greater than room ambient. Therefore, consideration should be given to installing the equipment in an environment compatible with the maximum ambient temperature (T_{ma}) specified by the manufacturer.
-  **Reduced Air Flow:** Installation of the equipment in a rack should be such that the amount of air flow required for safe operation of the equipment is not compromised.
-  **Mechanical Loading:** Mounting of the equipment in the rack should be such that a hazardous condition is not achieved due to uneven mechanical loading.



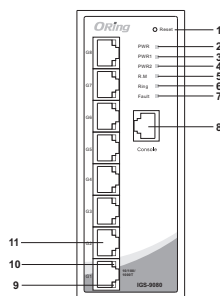
Circuit Overloading: Consideration should be given to the connection of the equipment to the supply circuit and the effect that overloading of the circuits might have on overcurrent protection and supply wiring. Appropriate consideration of equipment nameplate ratings should be used when addressing this concern.

Dimension



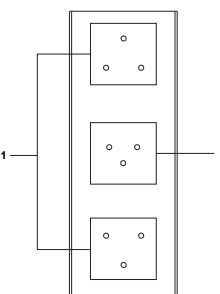
Panel Layouts

Front View



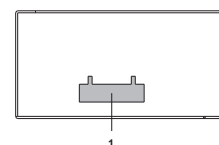
1. Reset button
2. PWR status LED
3. PWR1 LED
4. PWR2 LED
5. R.M. status LED
6. Ring status LED
7. Faulty relay indicator
8. Console port
9. Port speed LED
10. Port link LED
11. Gigabit Ethernet ports

Rear View



1. Wall-mount screw holes
2. Din-rail screw holes

Top Panel

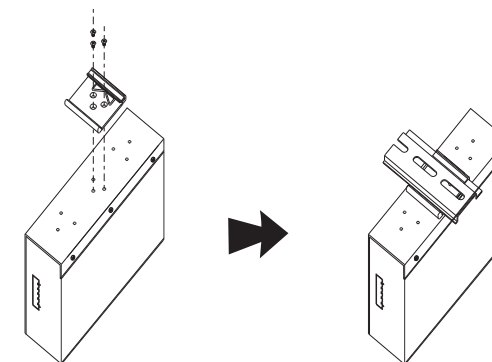


1. Terminal blocks: PWR1, PWR2 (12-48V DC), Relay

Installation

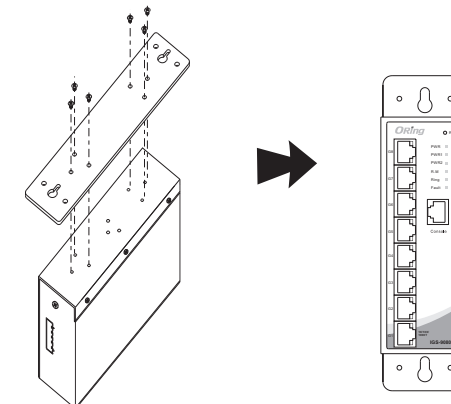
DIN-rail Installation

- Step 1:** Slant the switch and screw the Din-rail kit onto the back of the switch, right in the middle of the back panel.
Step 2: Slide the switch onto a DIN-rail from the Din-rail kit and make sure the switch clicks into the rail firmly.



Wall-mounting

- Step 1:** Screw the wall-mount kit onto the rear panel of the switch. A total of six screws are required, as shown below.
Step 2: Use the switch, with wall mount plates attached, as a guide to mark the correct locations of the four screws.
Step 3: Insert a screw head through the large parts of the keyhole-shaped apertures, and then slide the switch downwards. Tighten the screws for added stability.



Network Connection

The switch provides standard Ethernet ports. According to the link type, the switch uses CAT 3,4,5,5e UTP cables to connect to any other network devices (PCs, servers, switches, routers, or hubs). Please refer to the following table for cable specifications.

Cable Types and Specifications:

Cable	Type	Max. Length	Connector
10BASE-T	Cat. 3, 4, 5 100-ohm	UTP 100 m (328 ft)	RJ-45
100BASE-TX	Cat. 5 100-ohm UTP	UTP 100 m (328 ft)	RJ-45
1000BASE-T	Cat. 5 / Cat. 5e 100-ohm UTP	UTP 100 m (328 ft)	RJ-45

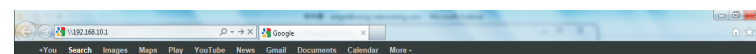
Configurations

After installing the switch, the green power LED should turn on. Please refer to the following tablet for LED indication.

LED	Color	Status	Description
PWR	Green	On	DC power on
PWR1	Green	On	DC power module 1 activated
PWR2	Green	On	DC power module 2 activated
R.M	Green	On	Ring Master
		On	Ring enabled
Ring	Green	Blinking	Ring structure is broken (i.e. part of the ring is disconnected)
Fault	Amber	On	Faulty relay (power failure or port disconnected)
10/100/1000Base-T(X) Gigabit Ethernet ports			
LNK/ACT	Green	On	Port link UP
		Blinking	Data transmitted
Speed	Green	On	Port link at 1000Mbps
	Amber	On	Port link at 10/100Mbps
	Green/Amber	Off	Port link at 10Mbps

Follow the steps to set up the switch:

1. Launch the Internet Explorer and type in IP address of the switch. The default static IP address is **192.168.10.1**



2. Log in with default user name and password (both are **admin**). After logging in, you should see the following screen. For more information on configurations, please refer to the user manual. For information on operating the switch using ORing's Open-Vision management utility, please go to ORing website.



Resetting

- To reboot the switch, press the **Reset** button for 2-3 seconds.
- To restore the switch configurations back to the factory defaults, press the **Reset** button for 5 seconds.

Specifications

ORing Switch Model	IGS-9080	IGS-9080-NP
Physical Ports	8	
10/100/1000Base-T(X) Ports in RJ45 Auto MDI/MDIX		
Technology		
Ethernet Standards	IEEE 802.3 for 10Base-T IEEE 802.3u for 100Base-TX IEEE 802.3ab for 1000Base-T IEEE 802.3x for Flow control IEEE 802.3ad for LACP (Link Aggregation Control Protocol) IEEE 802.1p for COS (Class of service) IEEE 802.1Q for VLAN Tagging IEEE 802.1w for RSTP (Rapid Spanning Tree Protocol) IEEE 802.1s for MSTP (Multiple Spanning Tree Protocol) IEEE 802.1x for Authentication IEEE 802.1AB for LDP (Link Layer Discovery Protocol) IEEE 1588v2 clock synchronization	
IEEE 1588v2 clock synchronization	supported	Not supported
MAC Table	8K	
Priority Queues	8	
Processing	Store-and-Forward	

For pin assignments for different types of cables, please refer to the following tables.

1000Base-T RJ-45 Port		10/100 Base-T(X) RJ-45 Port	
Pin Number	Assignment	Pin Number	Assignments
1	BI_DA+	1	TD+
2	BI_DA-	2	TD-
3	BI_DB+	3	RD+
4	BI_DC+	4	Not used
5	BI_DC-	5	Not used
6	BI_DB-	6	RD-
7	BI_DD+	7	Not used
8	BI_DD-	8	Not used

10/100 Base-T(X) MDI/MDI-X			1000Base-T MDI/MDI-X		
Pin Number	MDI port	MDI-X port	Pin Number	MDI port	MDI-X port
1	TD+(transmit)	RD+(receive)	1	BI_DA+	BI_DB+
2	TD-(transmit)	RD-(receive)	2	BI_DA-	BI_DB-
3	RD+(receive)	TD+(transmit)	3	BI_DB+	BI_DA+
4	Not used	Not used	4	BI_DC+	BI_DD+
5	Not used	Not used	5	BI_DC-	BI_DD-
6	RD-(receive)	TD-(transmit)	6	BI_DB-	BI_DA-
7	Not used	Not used	7	BI_DD+	BI_DC+
8	Not used	Not used	8	BI_DD-	BI_DC-

Note: "+" and "-" signs represent the polarity of the wires that make up each wire pair.

Console Port Pin Definition

To connect the console port to an external management device, you need an RJ-45 to DB-9 cable, which is also supplied in the package. Below is the console port pin assignment information.

PC (male) pin assignment	RS-232 with DB9 (female) pin assignment (RJ45-DB9 cable)	RJ45 pin assignment
PIN#2 RxD	PIN#2 RxD	PIN#2 RxD
PIN#3 TxD	PIN#3 TxD	PIN#3 TxD
PIN#5 GND	PIN#5 GND	PIN#5 GND

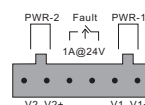
Wiring

Power inputs

The switch supports dual redundant power supplies, Power Supply 1 (PWR1) and Power Supply 2 (PWR2). The connections for PWR1, PWR2 and the RELAY are located on the terminal block.

STEP 1: Insert the negative/positive wires into the V-/V+ terminals, respectively.

STEP 2: To keep the DC wires from pulling loose, use a small flat-blade screwdriver to tighten the wire-clamp screws on the front of the terminal block connector.



Relay contact

The two sets of relay contacts of the 6-pin terminal block connector are used to detect user-configured events. The two wires attached to the fault contacts form an open circuit when a user-configured event does not occur, the fault circuit remains closed.

Grounding

Grounding and wire routing help limit the effects of noise due to electromagnetic interference (EMI). Run the ground connection from the ground screws to the grounding surface prior to connecting devices.

Switch Properties	Switch latency: 7 us Switch bandwidth: 15Gbps Max. Number of Available VLANs: 256 IGMP multicast groups: 128 for each VLAN Port rate limiting: User Define
Jumbo frame	Up to 9.6K Bytes
Security Features	Device Binding security feature Enable/disable ports, MAC based port security Port based network access control (802.1x) VLAN (802.1q) to segregate and secure network traffic Radius centralized password management SNMPv3 encrypted authentication and access security Https / SSH enhance network security
Software Features	STP/RSTP/MSTP (IEEE 802.1D/w/s) Redundant Ring (O-Ring) with recovery time less than 30ms over 250 units TOS/Diffserv supported Quality of Service (802.1p) for real-time traffic VLAN (802.1Q) with VLAN tagging and GVRP supported IGMP Snooping for multicast filtering IP-based bandwidth management Application-based QoS management DOS/DDOS auto prevention Port configuration, status, statistics, monitoring, security DHCP Server / Client support SMTP Client Modbus TCP
Network Redundancy	O-Ring, Open-Ring, O-chain, MRP, MSTP (RSTP/STP compatible)
RS-232 Serial Console Port	RS-232 in RJ45 connector with console cable. Baud rate setting: 115200bps, 8, N, 1
Fault Contact	
Relay	Relay output to carry capacity of 1A at 24VDC
Power	
Redundant Input power	Dual DC inputs. 12-48VDC on 6-pin terminal block
Power consumption(Typ.)	10.92 watts
Overload current protection	Present
Reverse Polarity Protection	Present
Physical Characteristic	
Enclosure	IP-30
Dimension (W x D x H)	54.1(W)x106.1(D)x145.4(H) mm (2.13x4.18x5.72 inch.)
Weight (g)	776 g
Environmental	
Storage Temperature	-40 to 85°C (-40 to 185°F)
Operating Temperature	-40 to 70°C (-40 to 158°F)
Operating Humidity	5% to 95% Non-condensing
Regulatory Approvals	
EMI	FCC Part 15, CISPR (EN55022) class A
EMS	EN61000-4-2 (ESD), EN61000-4-3 (RS), EN61000-4-4 (EFT), EN61000-4-5 (Surge), EN61000-4-6 (CS), EN61000-4-8, EN61000-4-11
Shock	IEC60068-2-27
Free Fall	IEC60068-2-32
Vibration	IEC60068-2-6
Safety	EN60950-1
Warranty	5 years



Copyright© 2014 ORing
All rights reserved.



ORing Industrial Networking Corp.
TEL: +886-2-2218-1066 Website: www.oring-networking.com
FAX: +886-2-2218-1014 E-mail: support@oring-networking.com