

Quick Installation Guide

TES-1080-M12 Series

EN50155 8-port unmanaged Ethernet switch

Introduction

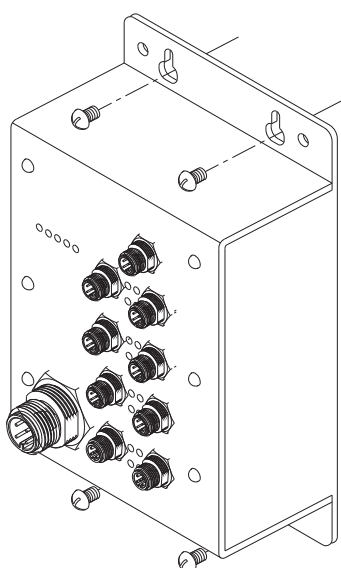
ORing's Transporter™ series Ethernet switches are designed for industrial applications, such as rolling stock, vehicle, and railway applications. The **TES-1080-M12 Series** is an unmanaged Ethernet switch with 8x10/100Base-T(X) ports which is compliant with EN50155 certification. **TES-1080-M12 Series** is constructed of a rugged casing and designed with Ethernet ports (M12 type connector), which provide a dust-tight robust connections, and guarantee reliable operation against environmental disturbances, such as vibration and shock. In addition, the wide operating temperature range from -40°C to 70°C can satisfy most of operating environment. Therefore, the switch is one of the most reliable choices for rolling stock Ethernet application.

Features

- ▶ Leading EN50155-compliant Ethernet switch for rolling stock application
- ▶ Support auto-negotiation and auto-MDI/MDI-X
- ▶ Support store and forward transmission
- ▶ Support flow control
- ▶ Provided dual bypass function (TES-1080-M12-BP2)
- ▶ Warning system by relay output for power failure
- ▶ M12 connectors to guarantee reliable operation against environmental disturbances
- ▶ Wall mounting enabled

Installation

Wall-mounted Install Step



Specifications

ORing Switch Model	TES-1080-M12	TES-1080-M12-BP2
Physical Ports		
10/100 Base-T(X) Ports in M12 with Auto MDI/MDIX	8 x M12 connector (4 pin M12 D-coding)	
Bypass Function	-	2 sets, P1 and P2, P3 and P4
Technology		
Ethernet Standards	IEEE 802.3 for 10Base-T IEEE 802.3u for 100Base-TX IEEE 802.3x for Flow control	
MAC Table	8192 MAC addresses	
Processing	Store-and-Forward	
LED Indicators		
Power Indicator	Green: Power LED x 3	
Fault Indicator	Amber: Indicate power failure	
10/100Base-T(X) M12 Port Indicator	Green for port Link/Act. Amber for Duplex/Collision	
Fault Contact		
Relay	Relay output to carry capacity of 3A at 24VDC on 5-pin M12 connector	
Power		
Redundant Input power	Dual 12~48 VDC on 5-pin M23 connector	
Power Consumption(Typ.)	5 Watts	
Overload Current Protection	Present	
Reverse Polarity Protection	Present	
Physical Characteristic		
Enclosure	IP-40	
Dimension (W x D x H)	125(W) x 65(D) x 196(H) mm (4.92 x 2.56 x 7.72 inch.)	
Weight (g)	854g	872g
Environmental		
Storage Temperature	-40 to 85°C (-22 to 185°F)	
Operating Temperature	-40 to 70°C (-40 to 158°F)	
Operating Humidity	5% to 95% Non-condensing	
Regulatory Approvals		
EMI	FCC Part 15, CISPR (EN55022) class A, EN50155 (EN50121-3-2, EN5011, EN50121-4)	
EMS	EN61000-4-2 (ESD), EN61000-4-3 (RS), EN61000-4-4 (EFT), EN61000-4-5 (Surge), EN61000-4-6 (CS), EN61000-4-8, EN61000-4-11	
Shock	IEC60068-2-27	
Free Fall	IEC60068-2-32	
Vibration	IEC60068-2-6	
Safety	EN60950-1	
Warranty	5 years	



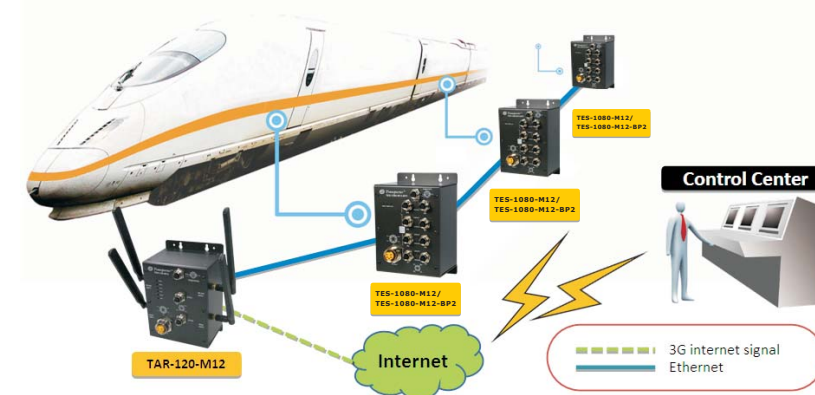
ORing Industrial Networking Corp.

Copyright© 2011 ORing
All rights reserved.

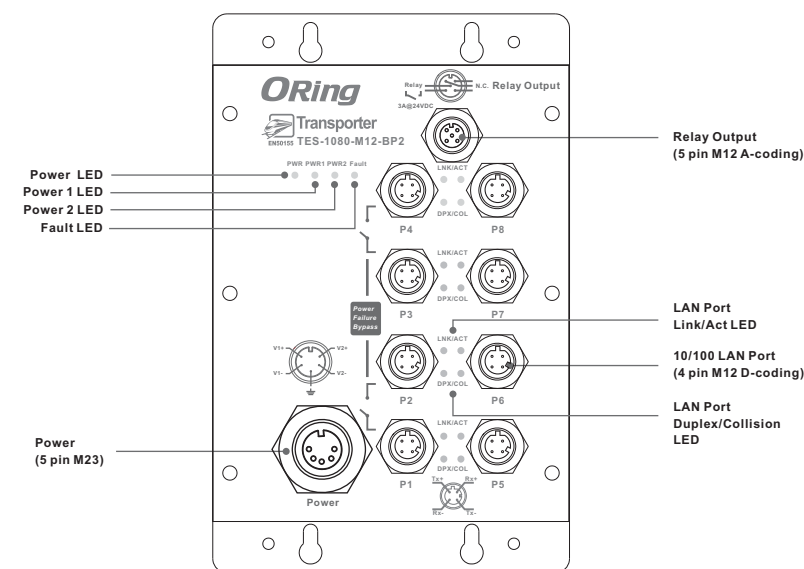


TEL: +886-2-2218-1066 Website: www.oring-networking.com
FAX: +886-2-2218-1014 E-mail: support@oring-networking.com

Network connection



Front Panel



Packing list

Model name	Description	Accessory
TES-1080-M12	En50155 8-port unmanaged Ethernet switch with 8x10/100Base-T(X), M12 connector	QIG X 1
TES-1080-M12-BP2	EN50155 8-port unmanaged Ethernet switch with 8x10/100Base-T(X), M12 connector and 2xbypass included	QIG X 1