

Domino Iota

Image Acquisition from a Monochrome Analog Camera

Features

- Supports progressive or interlaced single-tap cameras
- 8-bit 32MHz A/D converter
- High-resolution, typically 1300 x 1030
- Multi-mode synchronization system, including pixel clock and PLL locking
- Asynchronous reset, shutter control, strobe control
- 8-Mbyte frame buffer
- Real-time look-up tables



Introduction

General

The Domino Iota is an entry-level frame grabber for single-tap monochrome analog cameras. This new Domino card is an ideal solution for cost-sensitive applications.

The Domino Iota supports most system associated with industrial acquisition, with functions such as asynchronous reset, exposure and strobe control. TTL I/O lines are also provided for ease of system integration.

The Domino Iota comes with a MultiCam driver, which provides a comprehensive list of specific cameras and system features. MultiCam exposes a drivers API (Application Programming Interface) allowing it to define a uniform acquisition control layer for all EureSys' frame grabbers. The Domino Iota and MultiCam are compatible with eVision, an image analytical library for EureSys, offering an extended set of functions optimized for machine vision applications.

Acquisition

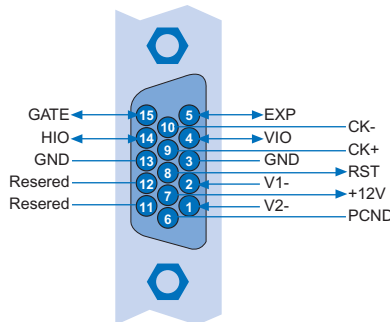
The Domino Iota is equipped with an 8-bit A/D converter and can have a sampling rate of up to 32MHz. The Domino Iota has two 8-bit input look-up tables and a programmable input filter (20, 10 or 5MHz). Gain control and offset are programmable.

PCI Interface

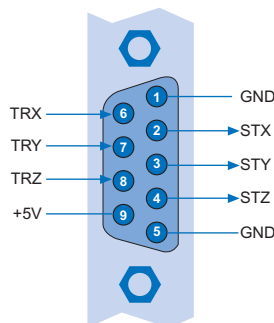
The Domino Iota is a 32-bit, 33MHz PCI bus frame grabber with 3V or 5V signaling. DMA and bus mastering are supported.

Camera and I/O Connectors

HD15 Connector: The HD15 connector is compliant with the EureSys-defined analog camera connector and includes camera powering.



DB9 Connector: The DB9 connector manages trigger and strobe functions and general purpose I/O. The connector is identical to the Domino Alpha and Gamma model.



Camera Support

The Domino Iota accepts any kind of single tap camera with progressive or interlaced scanning, synchronous or asynchronous reset, and with shutter and strobe control.

With the high-resolution capability of the board, it is compatible with many state-of-art analog cameras typically up to 1300 x 1030 resolutions. A Multi-mode synchronization system is available. It includes the pixel clock and PLL locking.

On-board Memory

The Domino Iota benefits from a 8-Mbyte on-board frame buffer.

Software Support

The MultiCam driver enables control of several Domino and GrabLink frame grabbers simultaneously, using an arbitrary number of cameras. MultiCam allows defined channel linking cameras to be buffered into the PC memory. The MultiCam channel identifies all parameters ruling the acquisition process for a camera. All camera features, such as resolution and control means, are reported through simple parameters. The MultiCam driver runs under Windows 98SE/ME/NT/2000/XP.

Ordering Information

- **Domino Iota**
Image acquisition from a monochrome analog camera

1
Software
Solutions

2
PXI/
CompactPCI
Platforms

3
PXI-Based
Instruments

4
PXI/
CompactPCI
Modules

5
PCI DAQ
Cards

6
PCI DIO
Cards

7
PCI/
104-Plus
Products

8
ISA DAS/
DIO Cards

9
Wiring
Termination
Boards

10
Motion
Control
Cards

11
Machine
Vision
Products

12
Remote I/O
Modules