

HMI Controller

10.4" Industrial Fanless Touch Panel Computer

AHM-6103



Features

- 10.4" High Brightness TFT LCD (250 cd/m²), long life-time display, support 800 x 600
- Fanless and AMD LX-800 500MHz processor
- One 200-pin SO-DIMM DDR 266/333MHz, up to 1GB
- DC 11~28V wide-range power input
- NEMA 4/IP 65 compliant front panel
- Sealed resistive touch screen
- Support Panel / VESA 75 mount



Display Specifications

LCD	10.4" SVGA 800x600
Luminance	250 cd/m ²
Viewing angle	130/110 (R/L)
Backlight Lifetime	20,000 hrs

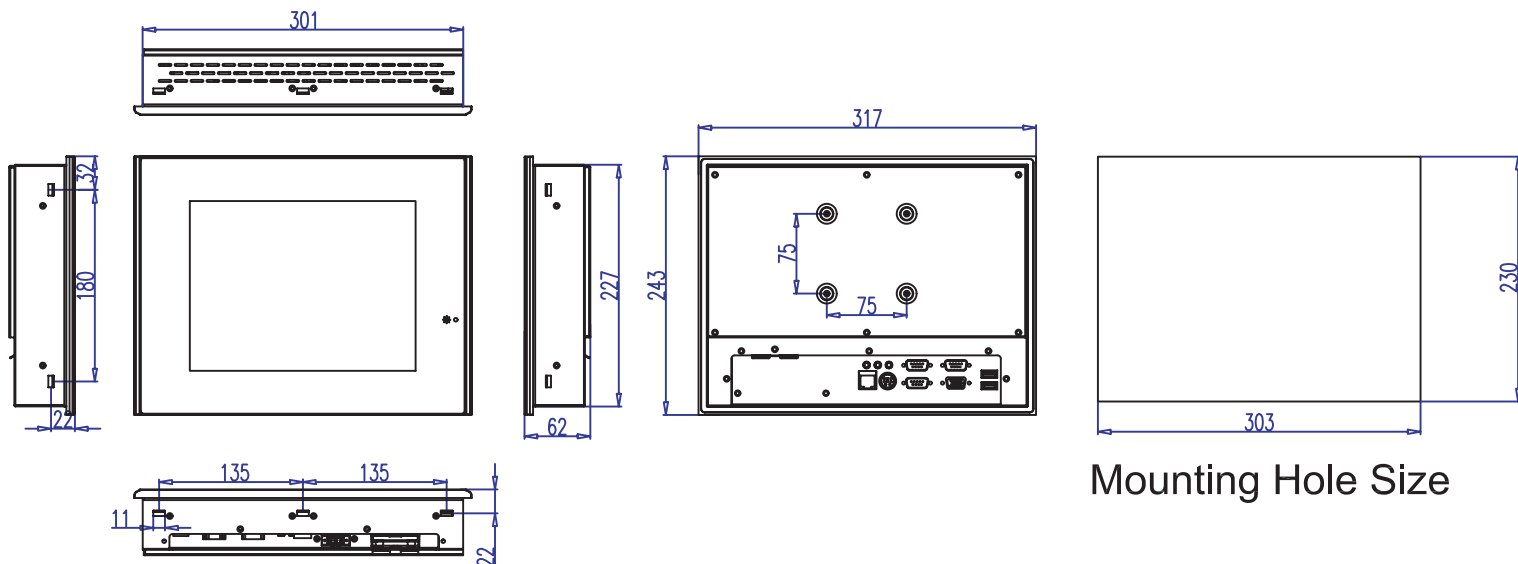
Mechanical Specifications

Construction	Plastic front panel & metal housing
Front Panel Color	Black
CPU	AMD LX-800 500MHz
DRAM	1 x 200-pin SO-DIMM DDR 266/333MHz up to 1GB
Storage	Space for 2.5" HDD and 1 CF card slot, or 1 Compact Flash card slot
Power input	DC 11~28V
Touch Screen	Analog resistive
I/O ports	COM1: RS-232, COM2: RS-232/422/485, COM3: RS-232, COM4 : reserved for touch screen controller, External USB 2.0 x2, 2x5 2.0mm pin header for internal USB 2.0 x2, 1xVGA, 1 x PS/2 keyboard & mouse , On board Buzzer x1, 1xReset switch , 1 x power on/off switch 1 x LAN (10/100Mb), Audio: AC'97 Codec, Line-in, Line-out, Mic, 2x SATA port (optional)
Dimensions	317(W)x243(H)x62(D)mm
Weight	4.3kgs/9.48lbs

Environment Specifications

Operating Temperature	0~50°C
Storage Temperature	-20~60°C
Relative Humidity	10~90% @40°C non-condensing
Vibration	5~500Hz (Random), 1G acceleration peak to peak
Shock	15G acceleration peak to peak (11 msec.)
Rating	NEMA 4/ IP 65 compliant front bezel
Certificate	Meet CE / FCC Class A
Mounting	Panel / VESA 75 mount
OS Support	Windows CE net 4.2 / 5.0, XP Professional, XP Embedded

Dimensions



Mounting Hole Size