

# HMI Controller

## 12.1" Industrial Fanless Touch Panel Computer

# AHM-6123



### Features

- 12.1" High Brightness TFT LCD (300 cd/m<sup>2</sup>), long life-time display, support 800 x 600
- Fanless and AMD LX-800 500MHz processor
- One 200-pin SO-DIMM DDR 266/333MHz, up to 1GB
- NEMA 4/IP 65 compliant front panel
- Sealed resistive touch screen
- Support Panel / VESA 75 mount
- DC 11~28V wide-range power input



### Display Specifications

LCD	12.1" SVGA 800x600
Luminance	300 cd/m <sup>2</sup>
Viewing angle	120/95 (R/L)
Backlight Lifetime	50,000 hrs

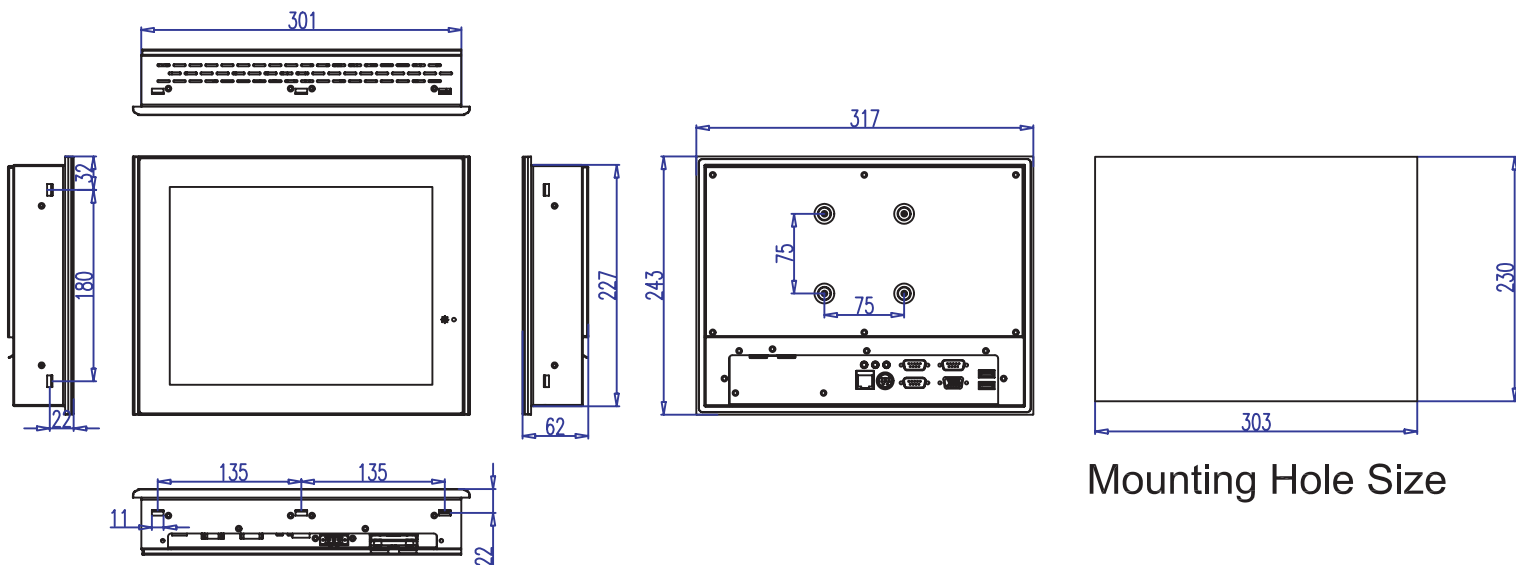
### Mechanical Specifications

Construction	Plastic front panel & metal housing
Front Panel Color	Black
CPU	AMD LX-800 500MHz
DRAM	1 x 200-pin SO-DIMM socket up to 1GB
Storage	Space for 2.5" HDD and 1 CF card slot, or 1 Compact Flash card slot
Power input	DC 11~28V
Touch Screen	Analog resistive
I/O ports	COM1: RS-232, COM2: RS-232/422/485, COM3: RS-232, COM4 : reserved for touch screen controller, External USB 2.0 x2, 2x5 2.0mm pin header for internal USB 2.0 x2, 1xVGA, 1 x PS/2 keyboard & mouse , On board Buzzer x1, 1xReset switch , 1 x power on/off switch 1 x LAN (10/100Mb), Audio: AC'97 Codec, Line-in, Line-out, Mic, 2x SATA port (optional)
Dimensions	317(W)x243(H)x62(D)mm
Weight	4.3kgs/9.48lbs

### Environment Specifications

Operating Temperature	0~50°C
Storage Temperature	-20~60°C
Relative Humidity	10~90% @40°C non-condensing
Vibration	5~500Hz (Random), 1G acceleration peak to peak
Shock	15G acceleration peak to peak (11 msec.)
Rating	NEMA 4/ IP 65 compliant front bezel
Certificate	Meet CE / FCC Class A
Mounting	Panel / VESA 75 mount
OS Support	Windows CE net 4.2 / 5.0, XP Professional, XP Embedded

### Dimensions



Mounting Hole Size