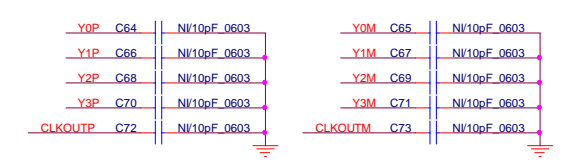
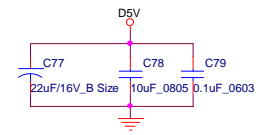
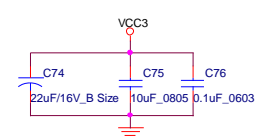
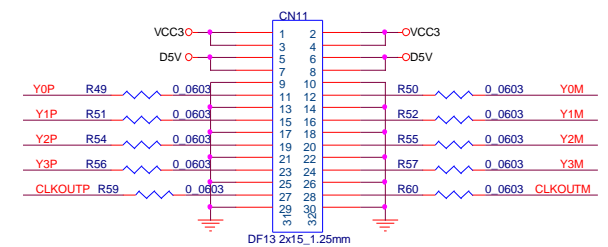
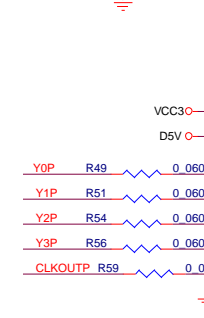
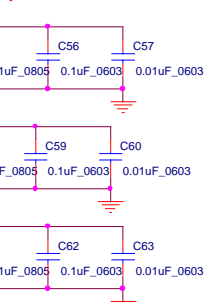
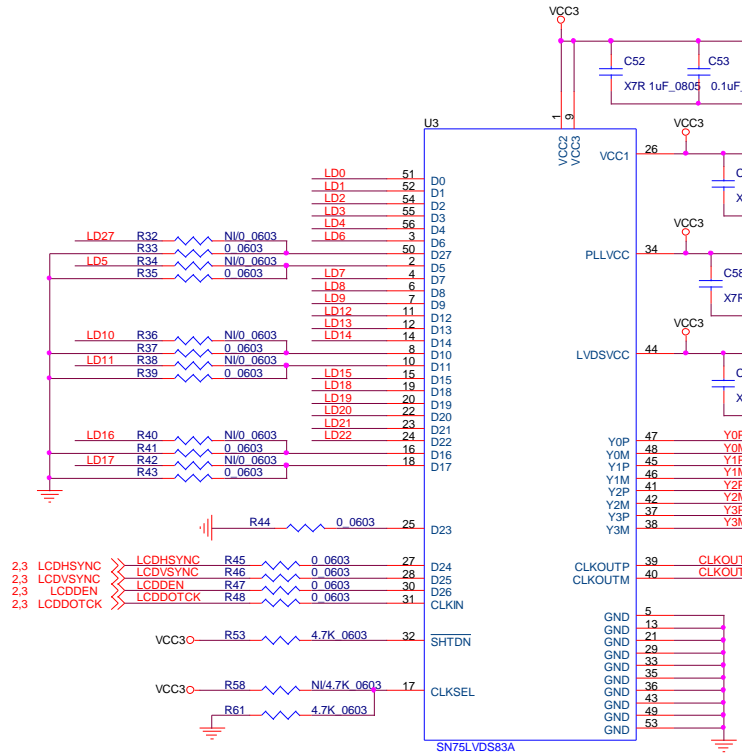
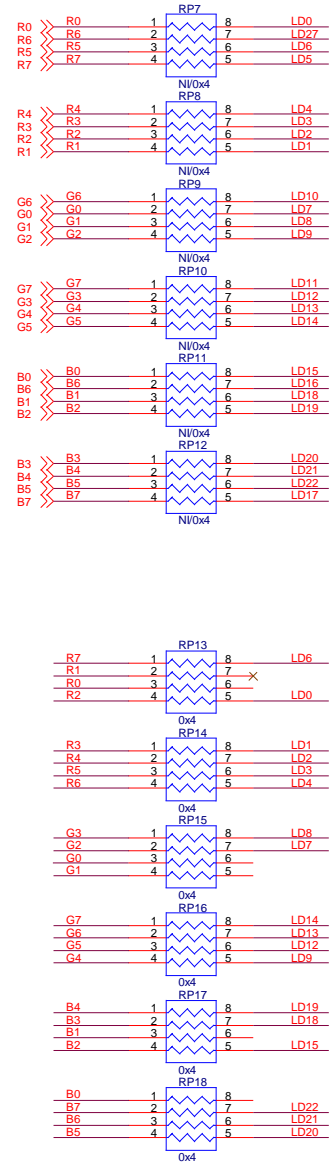


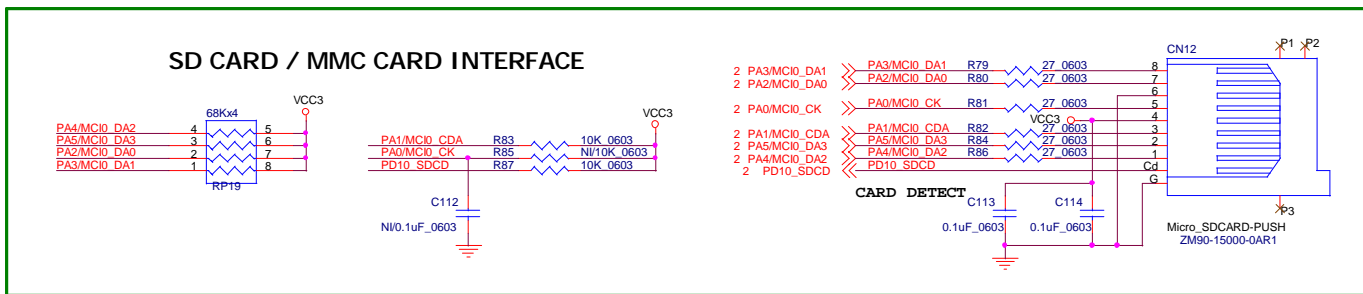
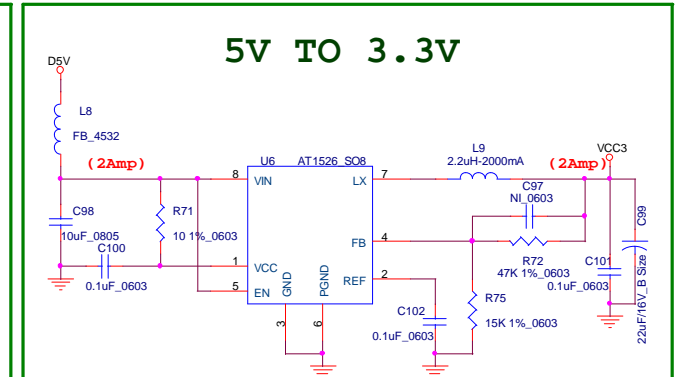
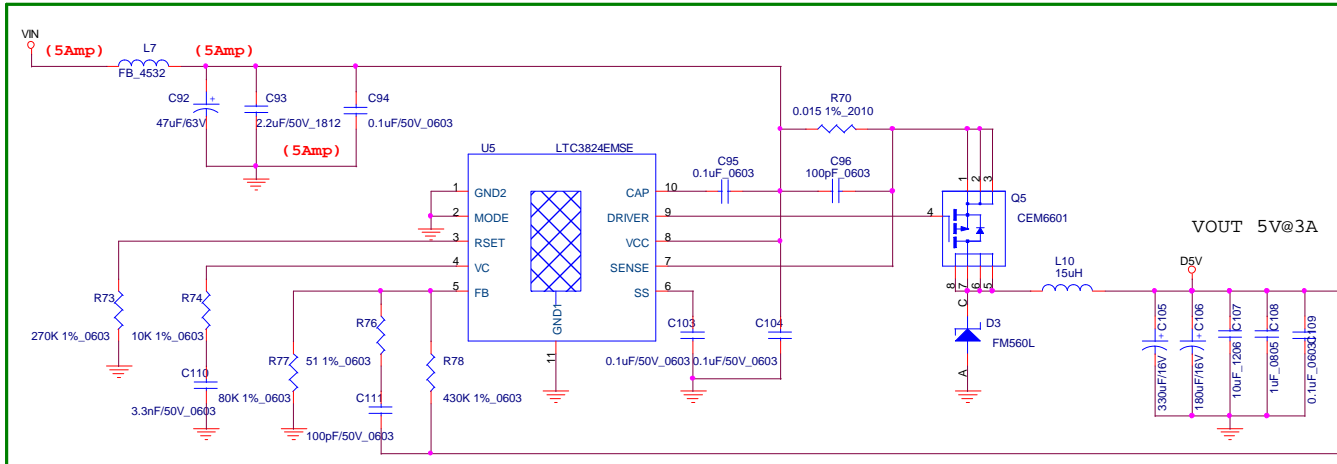
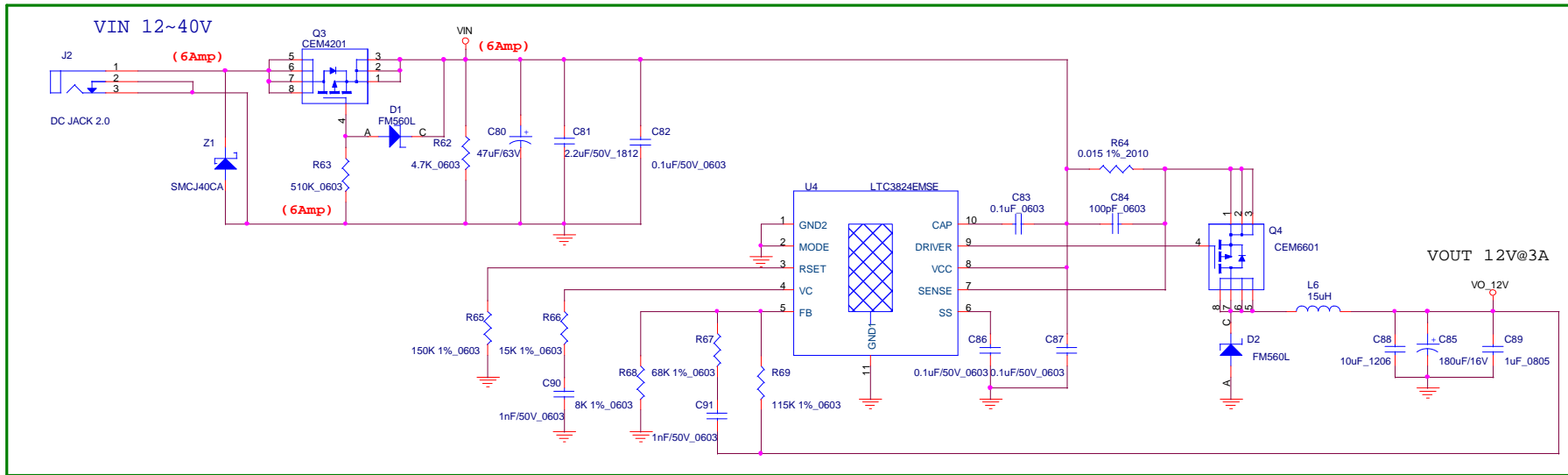
<b>Artila Electronics Co., Ltd.</b>		
Title	<b>CN1~3, Console, LED's, LAN, GPIO</b>	
Size	Document Number	<b>M-9G45-A Starter Kit</b>
A3		Rev 01
Date:	Monday, July 23, 2012	Sheet 2 of 9





**Artila Electronics Co., Ltd.**

Title			LVDS Interface & LVDS Conn.		
Size	Document Number	M-9G45-A Starter Kit		Rev	01
A3					
Date:	Monday, July 23, 2012	Sheet	4	of	9



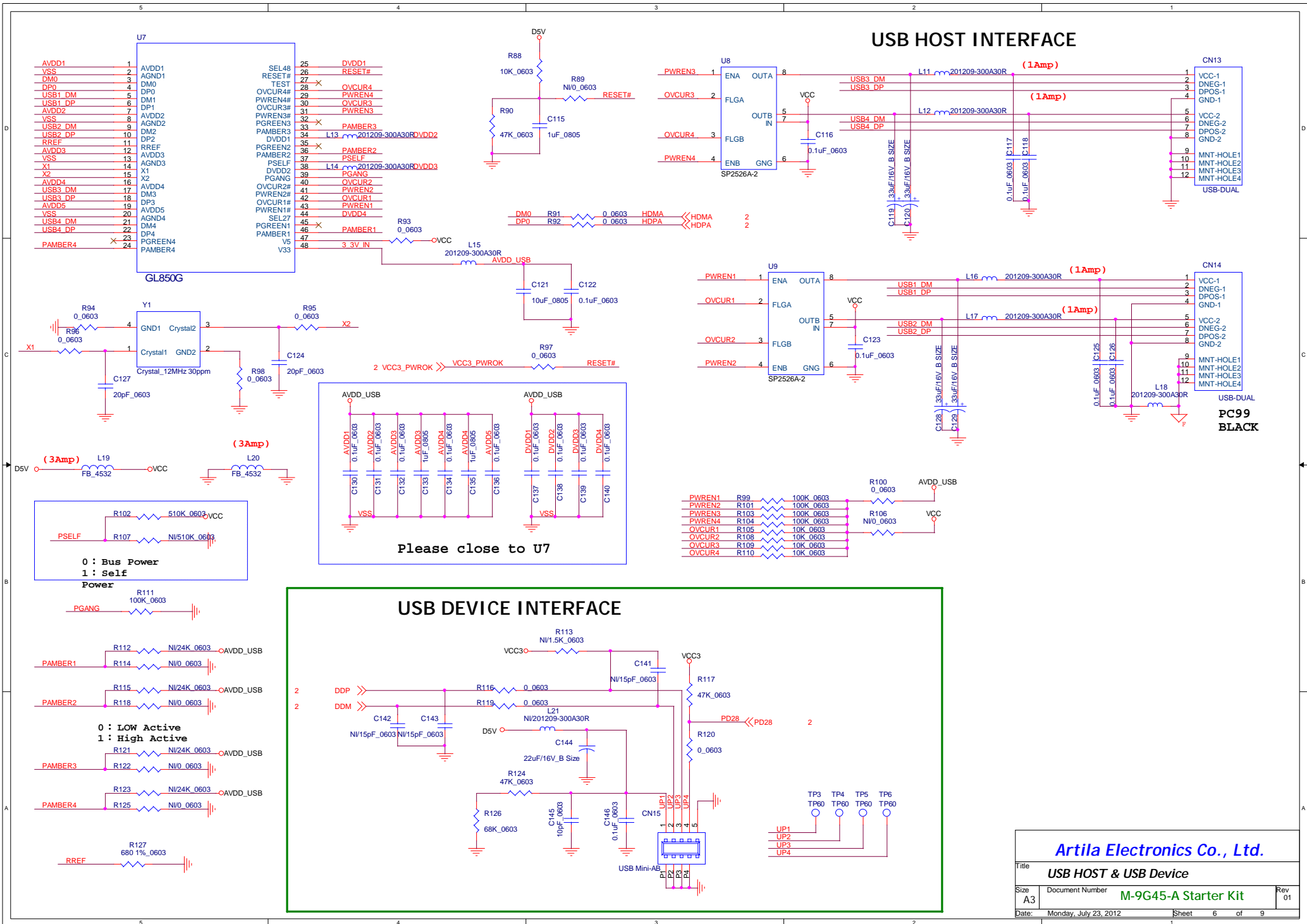
Artila Electronics Co., Ltd.

Title Main POWER 5V/5A & SD Socket

Size A3 Document Number M-9G45-A Starter Kit

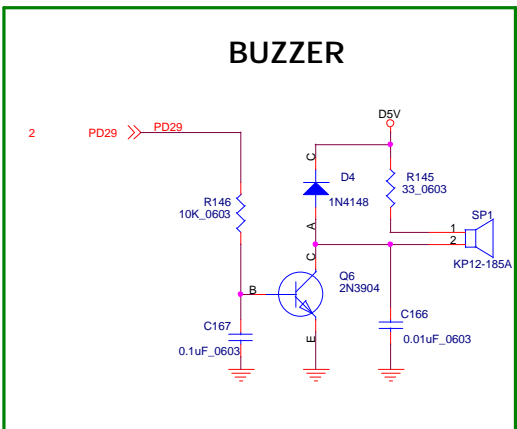
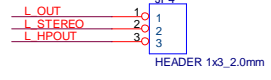
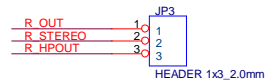
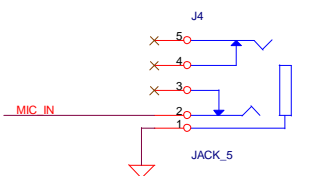
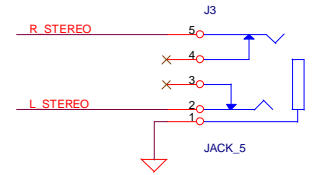
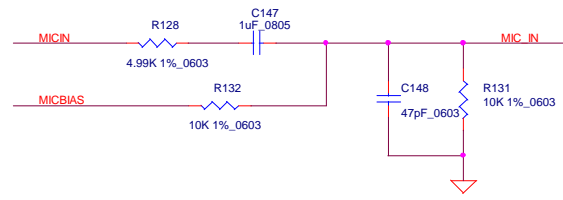
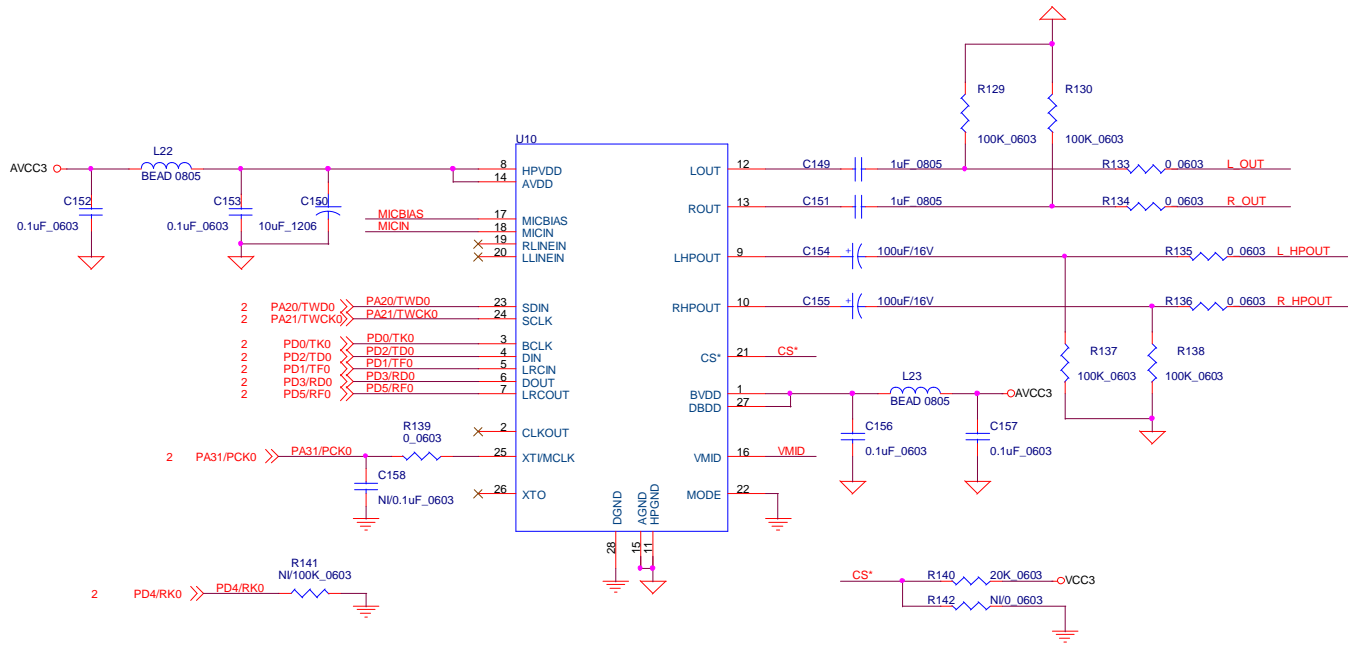
Date: Monday, July 23, 2012 Sheet 5 of 9

Rev 01

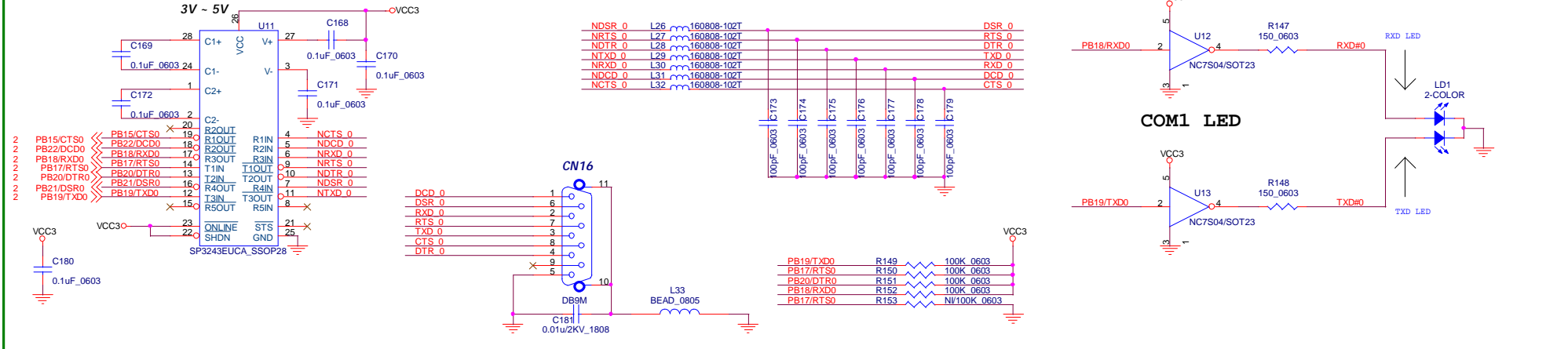


Artila Electronics Co., Ltd.

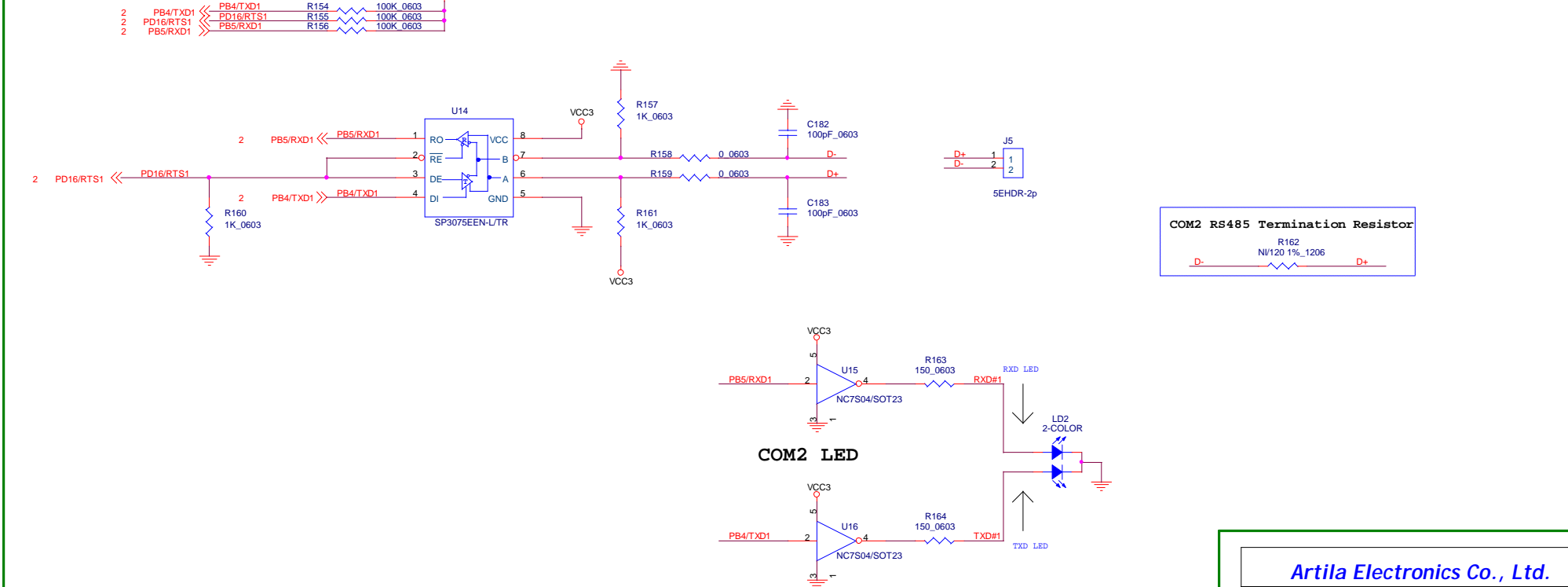
Title		USB HOST & USB Device	
Size	Document Number	M-9G45-A Starter Kit	Rev 01
A3			
Date:	Monday, July 23, 2012	Sheet	6 of 9



# COM1 232(Full)



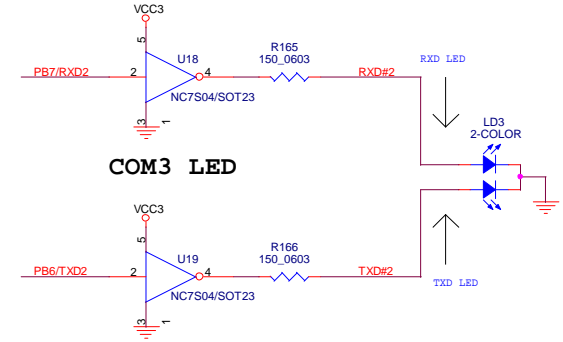
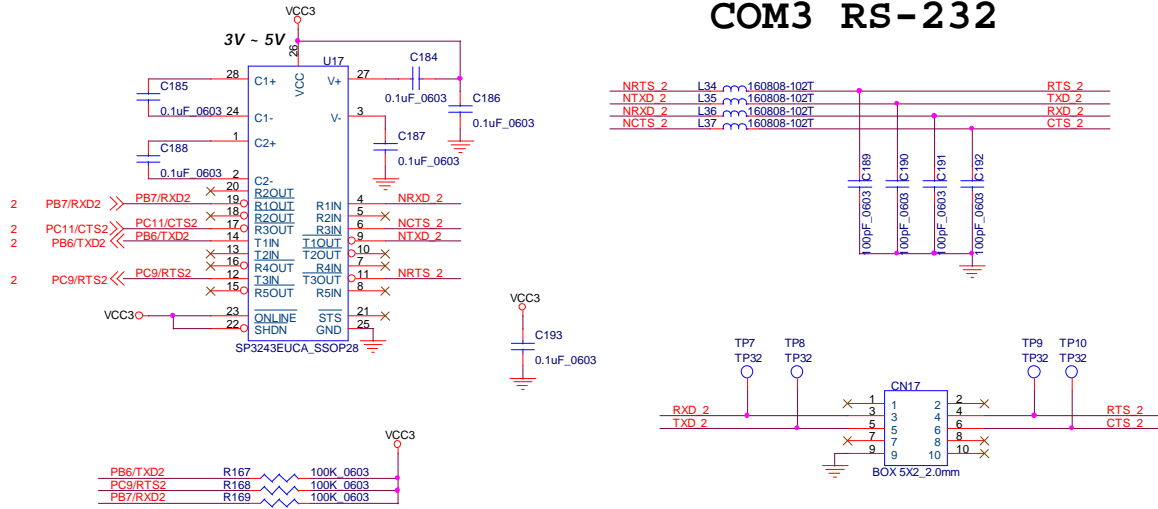
# COM2 RS485



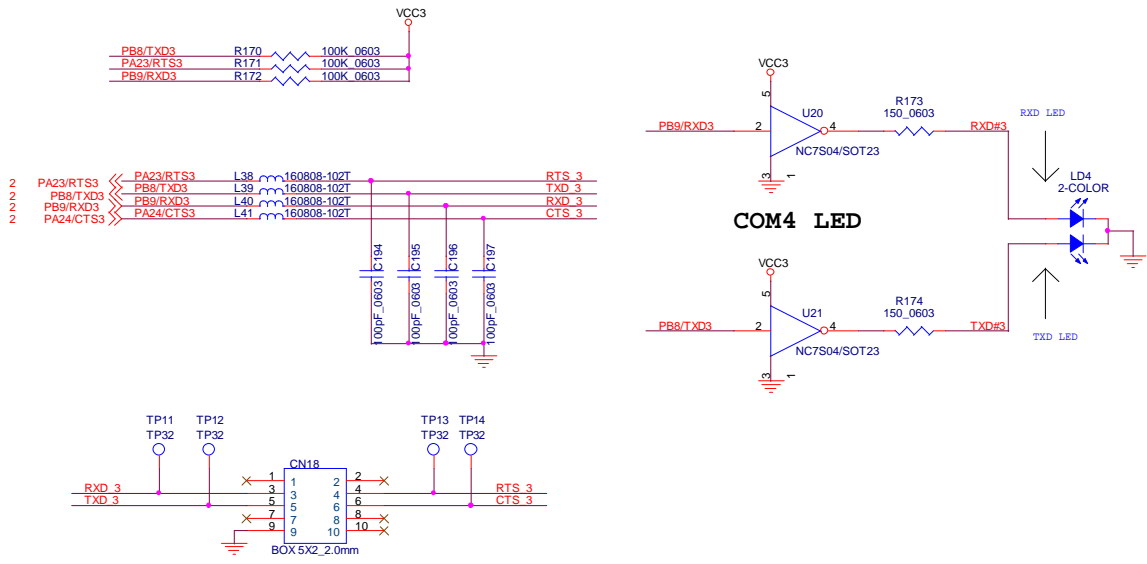
<b>Artila Electronics Co., Ltd.</b>		
Title <b>COM1 RS-232(Full), COM2 RS485</b>		
Size A3	Document Number M-9G45-A Starter Kit	Rev 01
Date: Monday, July 23, 2012	Sheet 8	of 9



## COM3 RS-232



## COM4 RS-232 (TTL)



Artila Electronics Co., Ltd.

Title COM3 RS-232, COM4 RS-232(TTL)

Size A3 Document Number M-9G45-A Starter Kit Rev 01

Date: Monday, July 23, 2012 Sheet 9 of 9