

WE-200M

Embedded Serial-to-Ethernet Module with User Web Space

- ✓ Adds Ethernet connectivity for RS-232/422/485 devices
- ✓ Adds Web server function for RS-232/422/485 devices
- ✓ 64KB space for user web pages and Java applets
- ✓ Provides nine programmable digital I/O pins
- ✓ 10/100Mbps Ethernet; 38,400bps serial data rate
- ✓ Supports TCP/Server, TCP/Client and UDP mode
- ✓ Web/Telnet/Serial consoles for device configuration
- ✓ Windows utility included for device management
- ✓ Firmware upgradeable



Introduction

The WE-200M is a mini-mighty Serial-to-Ethernet embedded module which adds network and Web server function for legacy RS-232/422/485 devices. The WE-200M provides a transparent data channel between serial device and the TCP/IP network, so that the serial device can be accessed by using standard TCP/IP protocols. The WE-200M can behave as a TCP server, a TCP client or an UDP node on a Ethernet network to fulfill versatile application requirements.

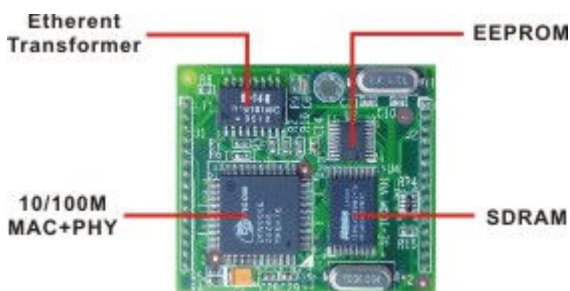
✕ 64KB Space for User Web Pages

The WE-200M features Artila's unique Web@Module technology to enable RS-232/ 422/485 serial devices to be monitored and controlled through standard Web browsers, anywhere, anytime, without the need to install dedicated application software.

Users can compose web pages and develop Java applets with preferred tools, then use Artila's Windows utility to transfer these files to the web server of the WE-200M through LAN/WAN.

✕ Programmable Digital I/O

Besides, the WE-200M also provides 6 TTL plus 3 CMOS digital I/Os. A pre-defined ASCII command set is provided for users to control these I/Os through LAN/WAN.



Specifications

Form Factor

- ▷ Type: 30-pin dual-inline drop-in module
- ▷ Pitch: 2.00mm
- ▷ WxLxH: 40x45x13mm

Network Interface

- ▷ Type: 10/100BaseT, auto-detect
- ▷ Protocols: TCP, UDP, HTTP, Telnet, IP, ICMP, ARP
- ▷ IP addressing: DHCP, Static IP

Operation Modes

- ▷ TCP/Server, TCP/Client and UDP mode

User Web Server

- ▷ Space capacity: 64KB in Flash memory

Serial Interface (TTL-level)

- ▷ Signals: TxD, RxD, RTS, CTS, DTR, DSR, DCD, GND
- ▷ Baud: 1,200 to 38,400 bps
- ▷ Parity: None, Even, Odd
- ▷ Data bits: 7,8
- ▷ Stop bit: 1,2
- ▷ Flow control: None, RTS/CTS, XON/OFF

Programmable Digital I/O

- ▷ PIO0~PIO5: TTL level compatible
- ▷ PIO6~PIO8: CMOS level compatible

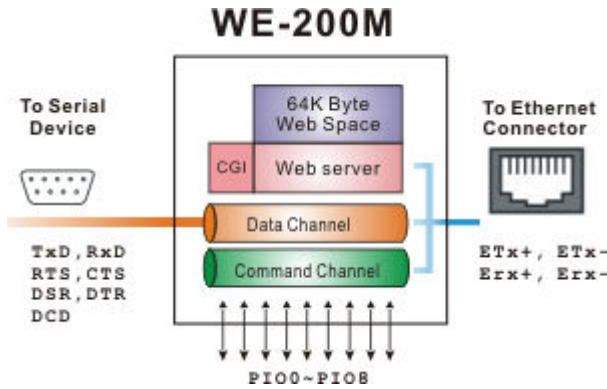
Configuration Methods

- ▷ Web console, Telnet Console and Serial Console
- ▷ Windows utility (included in CD)

General

- ▷ Power input: 5VDC
- ▷ Power consumption: 100mA@+5VDC
- ▷ Operation temp.: 0~70C, 5~95% RH
- ▷ Storage temp.: -20~85C, 5~95% RH
- ▷ Regulation: CE/FCC compliant
- ▷ Warranty: 2 years

Block Diagram

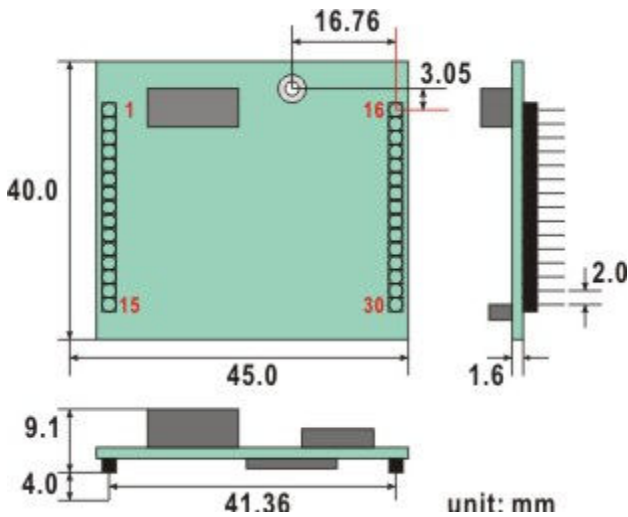


Pin Assignment

ETx+	1	16	RxD
ETx-	2	17	TxD
ERx+	3	18	RTS
ERx-	4	19	CTS
Link/Act	5	20	DCD
PIO0	6	21	DSR
PIO1	7	22	DTR
PIO2	8	23	PIO4
PIO3	9	24	PIO5
Reset	10	25	PIO6
Ready	11	26	PIO7
SW1	12	27	PIO8
SW2	13	28	NC
GND	14	29	NC
+5V	15	30	GND



Dimensions



Ordering Information

☒ WE-200M

Serial-to-Ethernet Embedded Module with nine GPIOs and 64KB user web space

☒ WE-200M-EV

Evaluation Kit for WE-200M, including one WE-200M module, one carrier board, one power adapter and one SDK CD-ROM.

