

Ultra-compact, general-purpose PC. Supports Windows®, PC DOS 2000 and Linux

SB 30 Series



Fanless, Ultra Low Voltage Celeron® M 800MHz Micro Controller Unit

Ultra Low Voltage
Celeron M 800MHz
 Chip Set: **852GM**
 Main Memory: **512MB DDR SDRAM**
 FAN-less, Analog RGB, Dual LAN, Audio

Please see page 13 for specifications
 Dimensions on Page 13

Model	Storage	OS	Memory
GCPU-SB303-FIT	No CF	-	512MB [JP-model: CPU-SB303-FIT]
GCPU-SB303-FIT-3F	CF 2GB	Windows XP Embedded	512MB [JP-model: CPU-SB303-FIT-3F]

* Windows XP Embedded preinstall (Compact Flash) model includes recovery CD-ROM.

CD version user's manuals are included with the units. Optional CD-ROM / DVD-ROM drives are available.

SB30 Series Features

Palm size

Compact / Light weight
 94.0(W) × 120.0(D) × 74.7(H)
 Weight: 800g

High speed

6 times faster than CONTEC's CPU-SB20 Series micro-computers.
 CPU: Intel® Celeron M 800MHz, Chip set: 852GM, Memory: 512MB

Interfaces & I/O Expansion

Interfaces include: USB2.0x4, RS-232Cx2, LANx2 (1000BASE-T, 10/100BASE-TX)
 I/O Expansion: 24 types of F&EIT series I/O modules.

Multiple Operating Systems

Supports Windows® XP Pro / Windows® XP Embedded, Windows® 2000, Linux, PC-DOS 2000

Can function as a general-purpose PC or an F&EIT I/O module controller

Can be used as a general-purpose PC or an F&EIT module controller I/O modules include Digital / Analog I/O and Serial Communication for use in Measurement / Control applications.

Quiet and Highly Reliable

Fan-less operation, ULV CPU, unique heat sink and use of a CF for storage creates a quiet and highly reliable system. The unit ships with a metal fitting to secure the CF card against accidental disconnection.

Supports wide range of input voltage (12 - 24VDC)

The SB-30 Series supports a wide range of power supplies (12 - 24VDC). Power can even be supplied from the battery inside a mobile device.

Unit can connect to a maximum of 8 F&EIT Series device modules

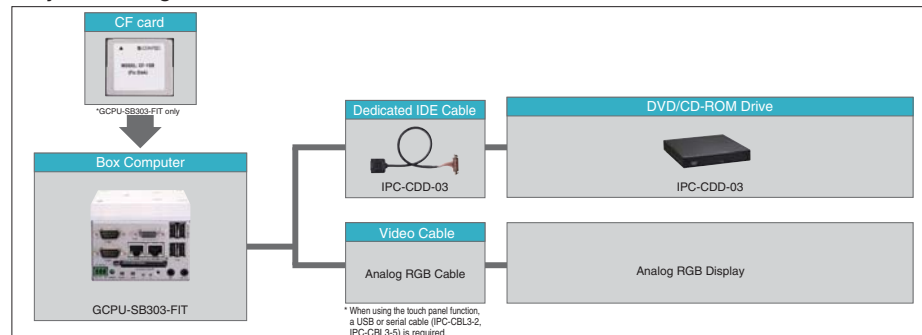
Can connect to a maximum of 8 F&EIT Series modules.
 NOTE: The total maximum power consumption for all modules cannot exceed 3A.

35mm DIN-rail mountable

Ships with a 35mm DIN-rail attachment that can be removed from the unit or used if the installation environment requires it. Connection to device modules is through a stack connector located on the side of module. This design enables the end-user to build a clean and clutter-free control system.



System Configuration



* When using the touch panel function, a USB or serial cable (IPC-CBL3-2, IPC-CBL3-5) is required.

Interfaces

- ① COM1
- ② COM2
- ③ Video output
- ④ 1000BASE-T
- ⑤ 10/100BASE-TX
- ⑥ USB2.0 port
- ⑦ DC power supply input
- ⑧ RESET
- ⑨ User Programmable Switch
- ⑩ CF card slot
- ⑪ MIC
- ⑫ Line output
- ⑬ F&EIT I/F

Optional Accessories

Name	Description
CD Drive	
IPC-CDD-03	CD-ROM/DVD-ROM drive
IPC-CDD-03	CD-ROM cable (400mm)
CF	
GCF-1GB-A	CF 1GB (Industrial grade: -40 ~ 85°C)

Application Example

1

This unit can fit into spaces too small for standard PCs. In addition, using wireless LAN Micro Access Points allows you to embed this unit in mobile hardware or areas where wiring would be difficult.

Application Example

2

Used with F&EIT Series Device Modules, these can be used as compact controllers supporting a variety of I/O or as programmable ethernet-based remote I/O systems.

Application Example

3

CONTEC's micro controller can serve as a compact web monitoring terminal (client PC) when interconnected with device modules.