

# PANEL-PCs for Windows CE

Rugged, Rust free Stainless Steel Panel PC  
**Excellent protection against dust and water**

## IPC-PT 020 Series

Windows CE .NET 4.2, Fanless, SH-4 240MHz  
 Panel PC 020 Series

IPC-PT020LS-AC-4E



### Features

- Drip proof IPX2-compliant exterior, dust proof / water proof IP65-compliant front panel**  
 The IPX2-compliant exterior is drip proof while the front panel is IP65-compliant providing protection from dust and water. The front panel features a durable glass sealed analog touch screen.
- Rust-resistant stainless steel enclosure**  
 The stainless steel exterior is rust-resistant and provides protection against dripping liquids.
- Standard PC interfaces**  
 Interfaces include 2 x USB, PC card (2 x Type II or 1 x Type III), 100BASE-TX x1, RS-232C x2, Analog RGB and stereo sound. A small speaker is preinstalled in the main unit, but an external speaker can be used. The Analog RGB interface enables the user to display 2 screens simultaneously. All interface drivers provided.
- Quick boot**  
 This product employs the XIP & memory loading boot function for faster startup (about 10 seconds) and operation.
- Easy fitting**  
 Features a 100mm VESA-standard mounting pattern for easy installation.
- Easy system development**  
 Microsoft's eMbedded Visual C++ 4.0 from enables easy software development using familiar Visual Studio environment. In addition, the system ships with "CONTEC Manager" which supports system development with an FTP server, schedule, NTP auto time adjustment and AutoRUN functions.

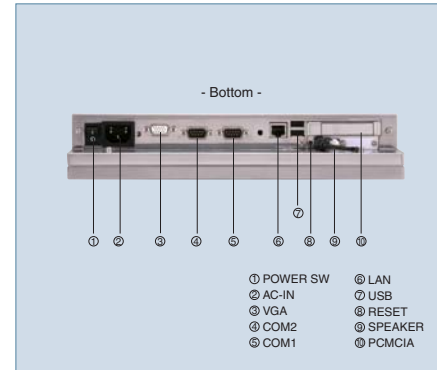
### IP Classifications

IP Classifications let the user know the level of protection that is provided to prevent damage by foreign objects and moisture.

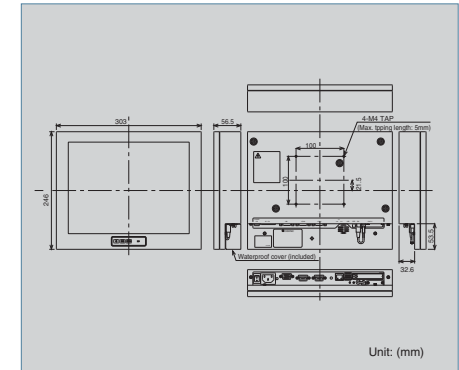
- IP65 ... The unit is dust tight and protected against water projected in jets from any direction
- IPX2 ... The unit is protected against vertically falling water drops when enclosure is tilted up to 15°

# PANEL-PCs for Windows CE

## Interfaces



## Dimensions



## Specifications

Model	IPC-PT020LS-AC-4E
CPU	SH-4 HD6417751RBP 240MHz
Memory	System memory: 128MB SDRAM, Flash memory (NFDISK)*1: 128MB, Flash memory for OS: 32MB
Display	
Type	12.1" TFT color LCD SVGA (800x600)
Number of colors	65536
Touch panel	
Resolution	4,096x4,096 (emulated in 800x600)
Detection method	Analog resistive glass/glass-type
Interfaces	
Keyboard / Mouse	USB 1.1
Serial	RS-232C
Audio	2ch: COM1(16550, 9-pin D-SUB), COM2(16550, 9-pin D-SUB, selectable RS-422A/485) Φ3.5 Stereo mini jack Full-scale output level 1.0Vrms(Typ.)
Wired LAN	1x 10BASE-T/100 BASE-TX, [National Semiconductor] DP83816A
PC card slot	PCMCIA Type II x2, or TypeIII x1
General-purpose I/O	-
USB	2ch (USB1.1)
OS	Windows CE.NET 4.2
Power Supply / Allowable Instantaneous Outage	AC100V (input range: AC100V~240V 50VA) / 17ms or less
Dimensions (mm)	303(W) x 56.5(D) x 246(H)
Dimensions (mm) (excluding panel)	-
Ingress protection	Exterior: IPX2-compliant (standard installation), Front: Dust-proof / water-proof - IP65 compliant
Weight	Approx. 3.6kg *2

\*1: Rewritable times: 300,000; MTBF=4,797,667 hours. (Rate of CF card presumed failure)  
 \*2: Excluding cables.

## Optional Accessories

Name	Description
Stand	
IPC-SND-03	Desk Stand
Manuals	
IPC-PT020LS-HME	Hardware manual for the Panel PC 020 series with .NET4.2 SH-4 (English)
IPC-SH4CD4-SME	Software manual (English)