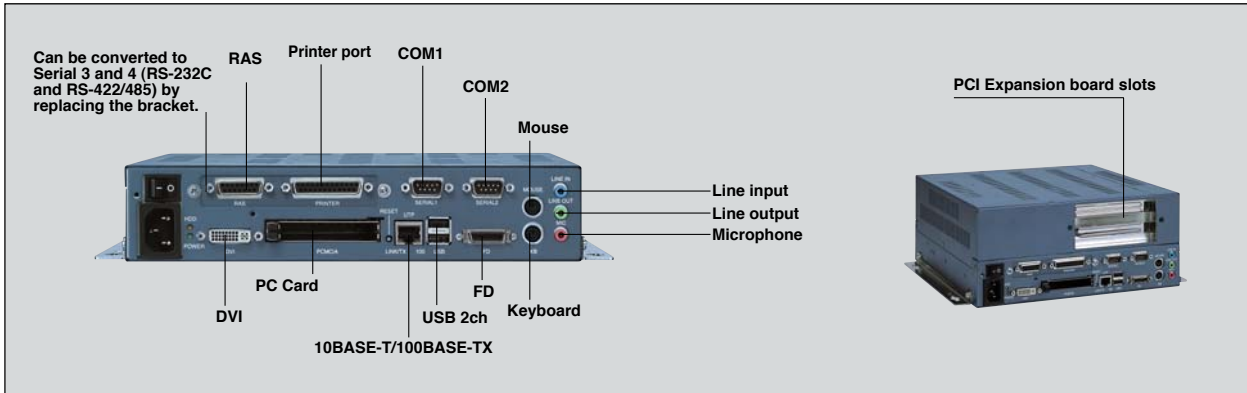


Interfaces



Specifications

Model	IPC-BX/M630 (PCI) C	IPC-BX/M630 (PCI) CP	IPC-BX/M630 (PCI) C4P	
CPU	Low Power Pentium III 800MHz, FSB133MHz(Intel)			
Chip set	Intel 815E			
Main memory	256 MB standard *1 / Max. 256MB (3.3V 144pin SO-DIMM PC133 Socket x 2)			
Video	Controller,Display I/F	Intel 815E (Built into the controller), DVI-I 29pin *2		
	System resolution	640 x 480(16.77 million colors) *, 800 x 600(16.77 million colors), 1,024 x 768(16.77 million colors), 1,152 x 864(16.77 million colors), 1,280 x 960(16.77 million colors) **, 1,280 x1,024(16.77 million colors)		
Audio	AC97 compliant, LINE IN, LINE OUT, MIC			
FDD I/F	Equipped with a dedicated 26pin, half-pitch connector: 2 modes (Optional FDD: PC-FDD25BH)			
IDE I/F	Primary	Ultra DMA/100, 2.5 inch IDE HDD or silicon disk drive: 1 internal unit (One more unit can be added. Either of the two must be a silicon disk drive.)		
	Secondary	Equipped with a dedicated 40pin, half-pitch connector (for connection of an optional CD-ROM) (right surface)		
Serial I/F	RS-232C (general-purpose): 2ch (SERIAL PORT1,2) 9pin, D-SUB connector, RS-232C (touch panel): 1ch (SERIAL PORT3) [inside the DVI connector] *3 *4 RS-422/485 (general-purpose): 1ch (SERIAL PORT4) [inside the RAS connector] *4			
Parallel I/F *4	Bi-directional, Centronics-compliant, 25pin D-SUB connector			
LAN	Ethernet 100BASE-TX/10BASE-T RJ-45 connector, Intel ICH2 integrated			
PC card slot	PCMCIA Type I, II x 2 or III x 1 (Startup from ATA card not allowed) CardBus correspondence			
USB I/F	2ch (USB 1.1)			
Keyboard / Mouse I/F	PC/AT keyboard-compatible (6pin, MINI DIN connector), PS/2-type mouse-compatible (6pin MINI DIN connector)			
General-purpose I/O *4	3 opto-isolated inputs and outputs (However, one output also serves as an external WDT output and one input also serves as remote reset. They become available when switched.)			
RAS function *4	WDT: 1sec to 255sec (RESET or external output is allowed at time expiration) Remote reset: External input signal			
Expansion board slot	None	PCI slot x 2, Installable board length : 240mm (Max.)	PCI slot x 4, Installable board length: 240mm (Max.)	
RTC/COMOS	Lithium backup battery life: 10 years or more			
Power supply	Input supply voltage	Automatically switched between 85-132 VAC and 170-265 VAC (47-63 Hz)		
	Current consumption	50VA (Max.)	90VA (Max.)	115VA (Max.)
	Expansion board Power-supply capacity	None	+5V: 2A(1A x 2 Slot), -5V: Not supplied, +12V: 0.5A, -12V: 80mA	+5V: 4A(1A x 4 Slot), -5V: Not supplied, +12V: 0.5A, -12V: 80mA
External dimensions (mm)	262(W)x262(D)x55(H)	262(W)x262(D)x115(H)	262(W)x262(D)x180(H)	
Weight	Approx. 3.3kg	Approx. 4.2kg	Approx. 5.0k	

*1 A 256 MB memory module is plugged in one socket.

*2 The interface can connect the PC to a CONTEC Panel Link input type display (using an optional cable) or an ordinary analog RGB input display (using the bundled DVI-analog RGB adapter).

*3 The interface is used for the CONTEC Panel Link or touch panel type display.

*4 Serial ports 3 and 4 can be used as general-purpose RS-232C ports by replacing the bracket. In that case, the touch panel, RAS functions (WDT time-out output and remote reset input), RS-422/485, general-purpose inputs, and parallel interfaces are disabled.

*5 It is impossible under Windows XP Embedded.

*6 It is impossible under Windows NT Embedded 4.0.

Option

Name	Description
Memory (144-pin SO-DMM)	
PC-MSD256-144V	256MB SD memory module
Silicon Disk Drive (IDE 2.5 inch)	
PC-SDD32V	32MB silicon disk drive
PC-MSD256-144V	256MB SD memory module
PC-SDD64V	64MB silicon disk drive
PC-SDD128V	128MB silicon disk drive
PC-SDD192V	192MB silicon disk drive
PC-SDD320V	320MB silicon disk drive
PC-SDD500V	512MB silicon disk drive
PC-SDD1000V	1GB silicon disk drive
PC-SDD2000V	2GB silicon disk drive
Floppy Disk Drive	
PC-FDD25BH	3.5 inch FD drive (with a cable)
Terminal Block for RAS Connector	
IPC-PSD-20	Terminal block with cable
Flat Panel Display (Panel Link Type)	
IPC-DT/H40X (PC) T	15 inch TFT color LCD display (1024 x 768 dots)
IPC-DT/H40S (PC) T	12.1 inch TFT color LCD display (1024 x 768 dots)

Name	Description
Panel Link cable	
IPC-DVIPL-020	The conversion cable to the panel link from DVI (2m)
IPC-DVIPL-050	The conversion cable to the panel link from DVI (2m)
Flat Panel Display for analog RGB	
IPC-DT/M20V (PC) T	10.4 inch 640 x 480 dots
IPC-DT/L20s (PC) T	10.4 inch 800 x 600 dots
IPC-DT/H20x (PC) T	15 inch 1024 x 768 dots
Touch panel cable for analog RGB display	
IPC-CBL3-2	RS-232C cable for touch panels (2m)
IPC-CBL3-5	RS-232C cable for touch panels (2m)
Others	
IPC-BX/M630 (PCI) -HMU	Users manual
IPC-SLIB-01	Driver & Utility software (CD-ROM)
PPC-CDD-01	CD-ROM Drive