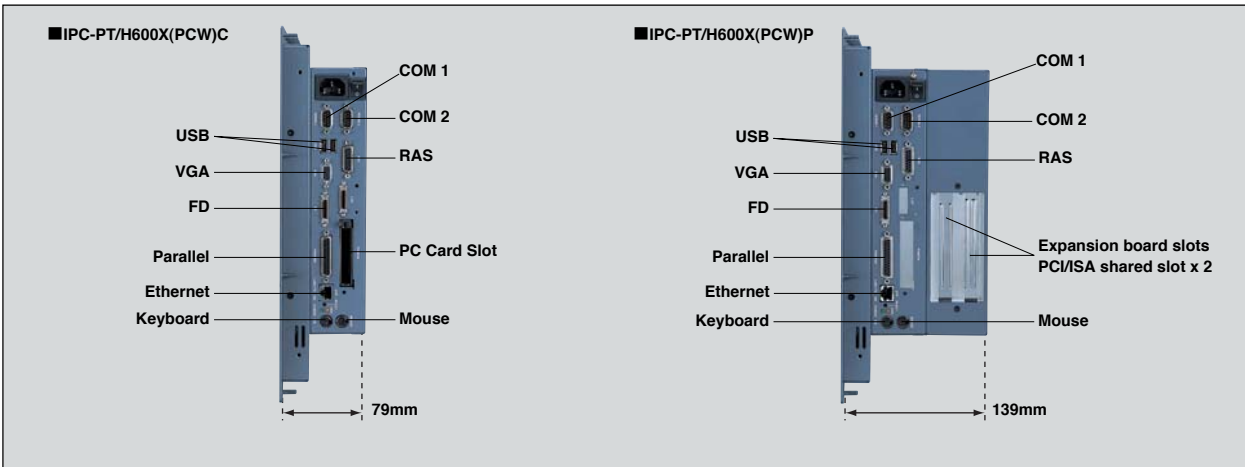
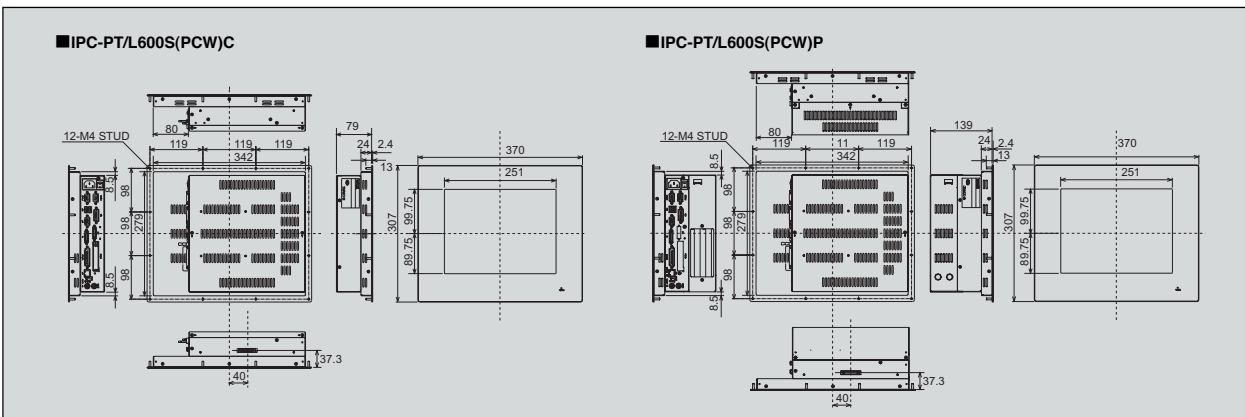


Interfaces



Dimensions(mm)



Option

Model	Description
Memory(144-pin SO-DIMM)	
PC-MSD64-144H	64MB SO-DIMM
PC-MSD128-144H	128MB SO-DIMM
Silicon disk drive (IDE 2.5 inch)	
PC-SDD500H	512MB Silicon disk drive
PC-SDD1000H	1GB Silicon disk drive
Floppy Disk Drive	
PC-FDD25BH	External FDD with cable
Terminal block for RAS connector	
IPC-PSD-20	RAS and I/O termination panel

Name	Description
Protection Sheets	
IPC-CV15	Protection sheets for 15-inch display (10pcs)
Others	
IPC-PT/x600x(PCW)-HMU	User's manual
IPC-SLIB-01	Touch screen & Display driver(CD-ROM)
IPC-CDD-02	External DVD-ROM drive
IPC-CDC-01	Cable for DVD/CD-ROM drive(40cm)

Box PC

Panel PC

Flat Panel Display

Silicon Disk Drive

Option

Box PC with Windows CE

Panel PC with Windows CE