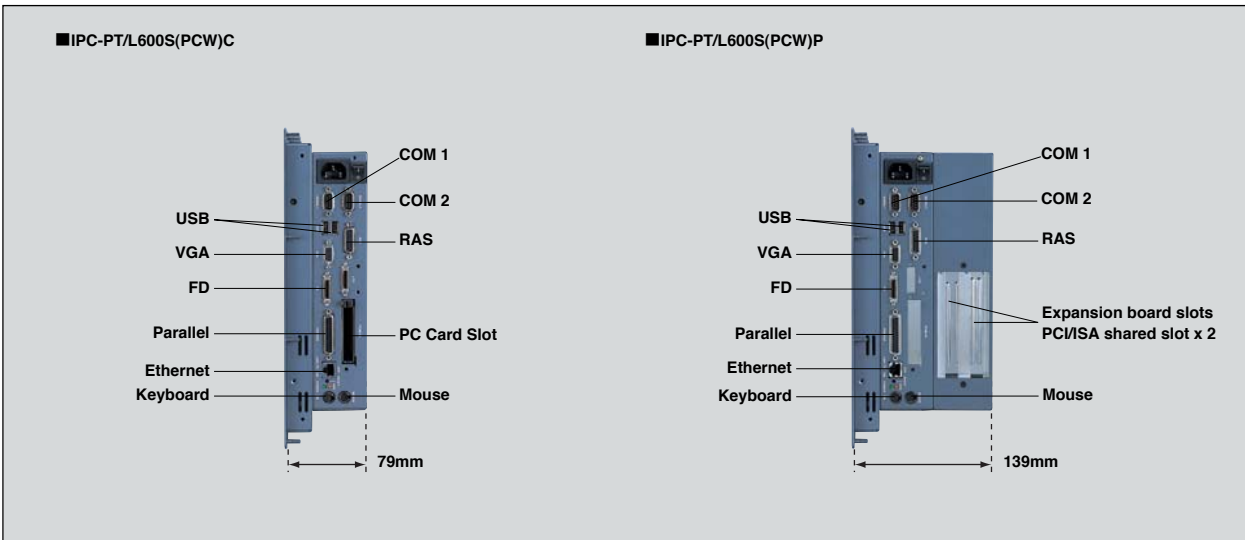
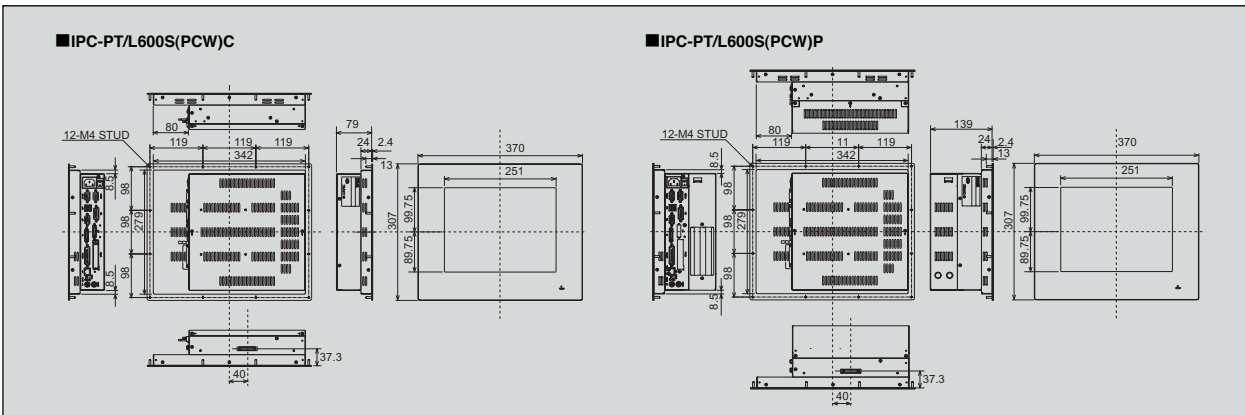


■ Interfaces



■ Dimensions(mm)



■ Option

| Model                                    | Description                   |
|--|-------------------------------|
| <b>Memory (144-pin SO-DIMM)</b>          |                               |
| PC-MSD64-144H                            | 64MB SO-DIMM                  |
| PC-MSD128-144H                           | 128MB SO-DIMM                 |
| <b>Silicon disk drive (IDE 2.5 inch)</b> |                               |
| PC-SDD500H                               | 512MB Silicon disk drive      |
| PC-SDD1000H                              | 1GB Silicon disk drive        |
| <b>Floppy Disk Drive</b>                 |                               |
| PC-FDD25BH                               | External FDD with cable       |
| <b>RAS Terminal Panel</b>                |                               |
| IPC-PSD-20                               | RAS and I/O termination panel |

| Model                    | Description                                     |
|--------------------------|---|
| <b>Protection Sheets</b> |   |
| IPC-CV12                 | Protection sheets for 12.1-inch display (10pcs) |
| <b>Others</b>            |   |
| IPC-PT/x600x(PCW)-HMU    | User's manual                                   |
| IPC-SLIB-01              | Touch screen & Display driver (CD-ROM)          |
| DVDP-i8A                 | External DVD-ROM drive                          |
| IPC-CDC-01               | Cable for DVD/CD-ROM drive (DVDP-i8A)(40cm)     |

Box PC

Panel PC

Flat Panel Display

Silicon Disk Drive

Option

Box PC with Windows CE

Panel PC with Windows CE