

Compact Panel PC

IPC-PT/SSH3VV-CE300E

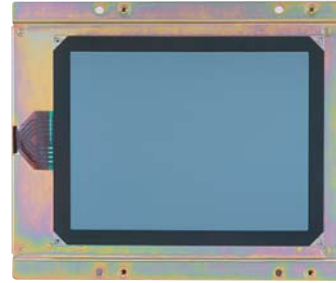


6.4" TFT Color, SH3/200MHz, 32MB memory, Windows CE3.00 English version

IPC-PT/SSH3VW-CE400E



6.4" TFT Color, SH3/200MHz, 32MB memory, XIP ROM 32MB, Windows CE.NET English version



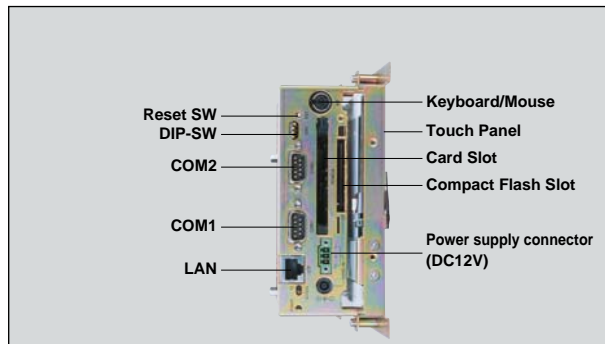
Features

- Compact size
- 32MB memory standard
- 32MB XIP ROM (IPC-PT/SSH3VW-CE400E model only)
- PC/104 bus standard
- Network (10BASE-T) capability standard
- 3-channel serial interface standard
- Card slots for function expansion

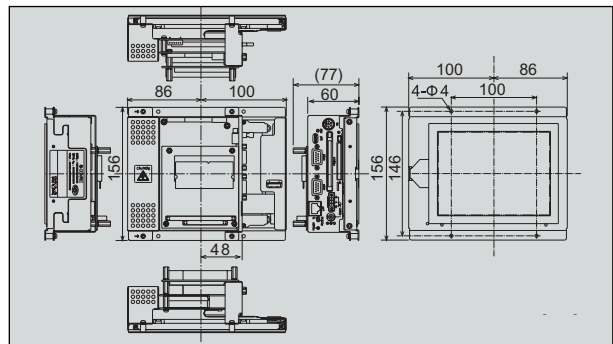
PCMCIA Type II: 1 slot, Compact Flash Type I:1 slot

- Touch panel standard
- 3 + 1 (XIP) types of boot device (using CONTEC original BIOS)
- On-board Flash ROM boot: Can be used in stand-alone mode.
- Network boot: Enables operating system and applications to be centrally managed from servers during development, etc.
- ATA card boot: For easy switching of operating systems and applications. Can also be transferred to on-board flash ROM.
- XIP boot: Boot from XIP ROM (IPC-PT/SSH3VW-CE400E model only)
- High-speed starting (IPC-PT/SSH3VW-CE400E model only)

Interfaces



Dimensions



Specification

Model	IPC-PT/SSH3VV-CE300E	IPC-PT/SSH3VW-CE400E
CPU	SH3 SH7709SH:200MHz, Internal cache:16KB	
Memory	Flash memory: 32MB, DRAM: 32MB, XIP ROM: 32MB (Only for CE400E, Stored area in Windows CE)	
LCD		
Number of pixels	Type/size 6.4-inch TFT color LCD 640x480 dots (VGA)	
Number of colors	256	
Touch panel		
Detection method	Analog resistive	
Resolution	1024 x 1024 (emulated in 640 x 480 mode)	
Interface	Supported as RS-232C interface	
Interfaces		
Keyboard, Mouse	PS/2 keyboard (6-pin MINI-DIN)	
COM port	RS-232C:2-channel (9-pin D-SUB x 2),RS-232C/RS-485:1ch (software switchable)	
LAN	10 BASE-T NE2000 compatible	
General-purpose I/O	PIO I/F, A/D I/F, D/A I/F	
PC card slots	PCMCIA: Type II x 1, CF CARD: Type I x 1	
Expansion bus	PC/104 bus (DMA, bus master functions not available, interrupt available)	
Installed OS	Windows CE3.0 (English)	Windows CE.NET (English)
Power supply		
Connector	3-pin PHOENIX CONTACT for 12-VDC power supply	
Voltage/Consumption	DC+12V ±5%/1.3A (Max.)	
Dimensions		
Outside (mm)	186(W) x 156(H) x 60(D)	186(W) x 156(H) x 77(D)
Panel cut (mm)	135.6±0.5(W) x 102±0.5(H)	
Weight	About 1.3 Kg *1	About 1.4 Kg *1
Environment		
Operating temperature	0 - 50°C	
Storage Temperature	-10 - 60°C	
Humidity	20 - 90%RH non-condensing	
EMC	CE, FCC Class A	
Front Panel protection	Meets NEMA 4/IP 65	

*1: Does not include cables, optional accessories, and screws, etc.

Options

Model	Description
Protection sheets	
IPC-CV6	Protection sheets for 6.4" display (10pcs)

Model	Description
Others	
IPC-PT/SSH3-HMU	English hardware manual
IPC-BX/MSH3-SME	English software manual