

## Bus Extender

### PCI bus expansion chassis (x2 Short size slots, AC Adapter)

ECH(PCI)BE-H2B



### (x4 Short size slots, AC Adapter)

ECH(PCI)BE-H4B



#### FEATURES

- ECH(PCI)BE-H2B - 2× PCI expansion slots
- ECH(PCI)BE-H4B - 4× PCI expansion slots
- Length accommodates short-size PCI add-on boards (5V/32bit)
- Chassis power supply can be turned on & off with the host PC power supply
- Equipped with a built-in cooling fan
- The compact chassis design combines space-saving system configuration with portability
- Includes AC adapter



ECH(PCI)BE-H2B

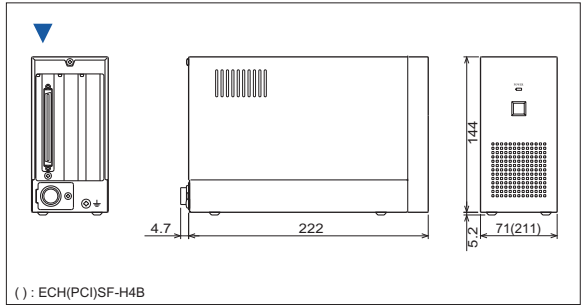


ECH(PCI)BE-H4B

#### ■ Specifications

	ECH(PCI)BE-H2B	ECH(PCI)BE-H4B
Supported bus	PCI Local Bus Specification Rev2.3 (+5VDC)	
Address space	Memory: 32-bit addressing, I/O: 32-bit addressing	
Interrupt level	INTA-INTD	
Bus clock	33MHz (Max.)	4 (Short-size)
User available slots	2 (Short-size)	
Allowable board (mm)	176.5(L) x 107(H)	
Power capacity (Max)	Output current shall not exceed the following values. +5VDC: 7A, +3.3VDC: 3A, +12VDC: 1.5A, -12VDC: 0.3A	
AC power input voltage	100 to 240VAC	
Maximum power capacity	60W	
Operating condition	0 to 50 °C, 20 to 80%RH (No condensation)	
Dimensions (mm)	71(W) x 144(H) x 222(L)	211(W) x 144(H) x 222(L)
Weight of chassis	1.2kg	1.5kg
Weight of AC adapter	0.9kg	

#### ■ Dimensions



## Bus Extender

### PCI bus expansion chassis (x2 Long size slots, AC Adapter)

ECH(PCI)BE-F2B



### (x4 Long size slots, AC Adapter)

ECH(PCI)BE-F4B



#### FEATURES

- ECH(PCI)BE-F2B - 2× PCI expansion slots
- ECH(PCI)BE-F4B - 4× PCI expansion slots
- Length accommodates long-size PCI add-on boards (5V/32bit)
- Chassis power supply can be turned on & off with the host PC power supply
- Equipped with a built-in cooling fan
- The compact chassis design combines space-saving system configuration with portability
- Includes AC adapter



ECH(PCI)BE-F2B

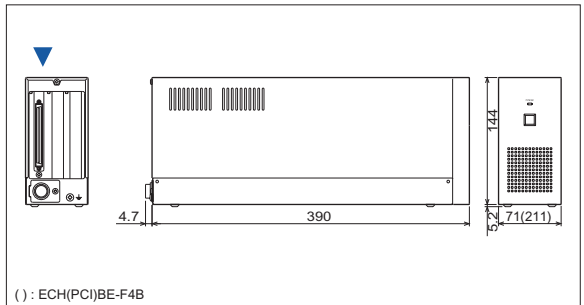


ECH(PCI)BE-F4B

#### ■ Specifications

	ECH(PCI)BE-F2B	ECH(PCI)BE-F4B
Supported bus	PCI Local Bus Specification Rev2.3 (+5VDC)	
Address space	Memory: 32-bit addressing, I/O: 32-bit addressing	
Interrupt level	INTA-INTD	
Bus operation clock	33MHz (Max.)	
Number of user slots	2 (Long -size)	4 (Long -size)
Installable board (mm)	313.8(L) x 107(H)	
Power capacity (Max)	Output current shall not exceed the following values. +5VDC: 7A, +3.3VDC: 3A, +12VDC: 1.5A, -12VDC: 0.3A	
AC power input voltage	100 to 240VAC	
Maximum power capacity	60W	
Operating condition	0 to 50 °C, 20 to 80%RH (No condensation)	
Dimensions (mm)	71(W) x 144(H) x 390(L)	211(W) x 144(H) x 390(L)
Weight of chassis	1.6kg	2.0kg
Weight of AC adapter	0.9kg	

#### ■ Dimensions



Included AC Adapter