

StarFabric-compliant
PCI bus expansion chassis
(x2 Short size slots, AC Adapter)
ECH(PCI)SF-H2B

NEW 2 Slots Short Size

(x4 Short size slots, AC Adapter)
ECH(PCI)SF-H4B

NEW 4 Slots Short Size

FEATURES

- ECH(PCI)SF-H2B - 2× PCI expansion slots
- ECH(PCI)SF-H4B - 4× PCI expansion slots
- Length accommodates short-size PCI add-on boards (5V/32bit)
- Equipped with a built-in cooling fan
- The compact chassis design combines space-saving system configuration with portability
- Includes AC adapter



ECH(PCI)SF-H2B

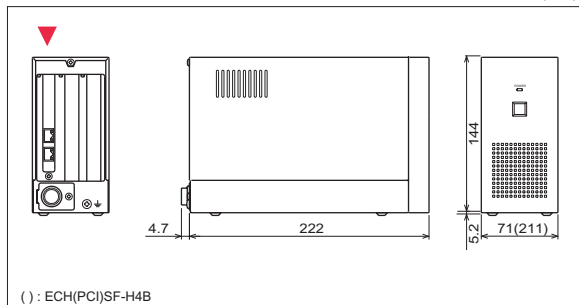


ECH(PCI)SF-H4B

Specifications	ECH(PCI)SF-H2B	ECH(PCI)SF-H4B
Supported bus	PCI Local Bus Specification Rev2.2 (+5VDC)	
Address space	Memory: 32-bit addressing, I/O: 32-bit addressing	
Interrupt level	INTA-INTD	
Bus operation clock	33MHz (Max.)	
Number of user slots	2 (Short-size)	4 (Short-size)
Installable board (mm)	176.5(L) x 107(H)	
Power capacity (Max)	The output current shall not exceed the following values. +5VDC: 7A, +3.3VDC: 3A, +12VDC: 1.5A, -12VDC: 0.3A	
AC power input voltage	100 to 240VAC	
Maximum power capacity	60W	
Operating condition	0 to 50°C, 20 to 80%RH (No condensation)	
Dimensions (mm)	71(W) x 144(H) x 222(L)	211(W) x 144(H) x 222(L)
Weight of chassis	1.2kg	1.5kg
Weight of AC adapter	0.9kg	

Dimensions

(mm)



StarFabric-compliant
PCI bus expansion chassis
(x2 Long size slots, AC Adapter)
ECH(PCI)SF-F2B

NEW 2 Slots Long Size Short Size

(x4, Long size slots, AC Adapter)
ECH(PCI)SF-F4B

NEW 4 Slots Long Size Short Size

FEATURES

- ECH(PCI)SF-F2B - 2× PCI expansion slots
- ECH(PCI)SF-F4B - 4× PCI expansion slots
- Length accommodates long-size PCI add-on boards (5V/32bit)
- Equipped with a built-in cooling fan
- The compact chassis design combines space-saving system configuration with portability
- Includes AC adapter



ECH(PCI)SF-F2B

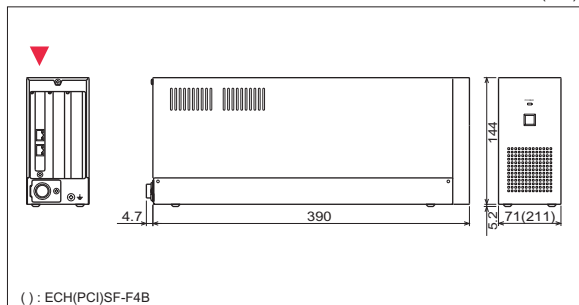


ECH(PCI)SF-F4B

Specifications	ECH(PCI)SF-F2B	ECH(PCI)SF-F4B
Supported bus	PCI Local Bus Specification Rev2.2 (+5VDC)	
Address space	Memory: 32-bit addressing, I/O: 32-bit addressing	
Interrupt level	INTA-INTD	
Bus clock	33MHz (Max.)	
User available slots	2 (Long -size)	4 (Long -size)
Allowable board size	313.8(L) x 107(H)	
Power capacity (Max)	The output current shall not exceed the following values. +5VDC: 7A, +3.3VDC: 3A, +12VDC: 1.5A, -12VDC: 0.3A	
AC power input voltage	100 to 240VAC	
Maximum power capacity	60W	
Operating conditions	0 to 50°C, 20 to 80%RH (No condensation)	
Dimensions (mm)	71(W) x 144(H) x 390(L)	211(W) x 144(H) x 390(L)
Weight of chassis	1.6kg	2kg
Weight of AC adapter	0.9kg	

Dimensions

(mm)



* Included AC Adapter

H-10

BUS EXPANSION SYSTEM

Product Lineup / Basic Knowledge

Bus Extension Expansion Adapter & Chassis

StarFabric-compliant Expansion Adapter & Chassis

Bus Expansion Adapter & Converter Adapter