

# EDAM-9050AB

12 digital input channels and 6 digital output channels module



## Features

- ◆ Support Modbus/TCP, TCP/IP, UDP, ICMP, ARP
- ◆ Ethernet 10/100 Based-T Communication
- ◆ Support 6 Isolated digital output channels (NPN).
- ◆ Provide Pulsed/delay Output Mode
- ◆ Support 12 Isolated digital Input Channels
- ◆ Provide Counter/ Frequency Inputs Mode
- ◆ Support **Wet Contact** Inputs
- ◆ Fully Photo-Isolation 3750Vrms
- ◆ Status LED indicator

## Specifications

- ◇ Interface: Ethernet 10/100 Based-T communication.
- ◇ COMM.: Support TCP/IP, UDP, ICMP, ARP
- ◇ Protocol: ASCII Format , Modbus/TCP
- ◇ Isolation Digital Input with **Wet Contact**:
  - Channel: 12 channels (DI0~DI11)
  - Input Level: Logic level status can be inverted via ASCII/Modbus command.
  - Digital input: Isolated single ended with **common source**.
  - Wet Contact :
    - ✓ Logic level 0 (active) : +2 Vac max
    - ✓ Logic level 1 (inactive) : +5V to +30VDC max.
  - Input Impedance: 2K ohm (Wet Contact)
  - Counter input: 500Hz counter input (32-bit + 1-bit overflow)
  - Optical Isolation Voltage: 3750Vrms
- ◇ Isolation Digital Output :
  - Digital Output: isolated Open collector (NPN) .
  - Channel: 6 channels (DO0~DO5)

- Output logical level: Logic level status can be inverted via ASCII/Modbus command.
- Open Collector to +5 ~ 30V / 500 mA max load.
- Optical Isolation Voltage: 3750Vrms
- Each channel supports 1KHz pulse output
- ◇ Display: Status LED indicator
- ◇ Power Requirement:
  - Power Consumption: 1.8 W (Typical)
  - Power Input: +10 ~ +30 VDC
  - Humidity : 5 ~ 95% RH, non-condensing

## Order information

### EDAM-9050(A) :

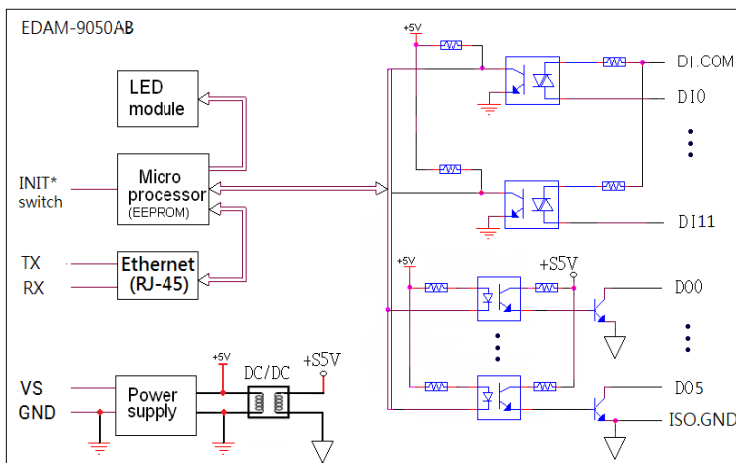
12 channels digital input(**Dry Contact**) and 6 channels output module.

### EDAM-9050AB :

12 channels digital input(**Wet Contact**) and 6 channels output module.

## Flexible OEM/ODM design

## Block Diagram



## Wire Connection

