

# EDAM-9051AB

12 D/I channels, 2 D/O channels  
and 2 channels counter module



## Features

- ◆ Support Modbus/TCP, TCP/IP, UDP, ICMP, ARP
- ◆ Ethernet 10/100 Based-T Communication
- ◆ Support 2 Isolated digital output channels (NPN).
- ◆ Provide Pulsed/delay Output Mode
- ◆ Support 12 Isolated digital Input Channels
- ◆ Provide Counter/ Frequency Inputs Mode
- ◆ **2 Counter** (4.5 KHz) input channels
- ◆ Support **Wet Contact** Inputs
- ◆ Fully Photo-Isolation 3750Vrms
- ◆ Status LED indicator

## Specifications

- ◇ Interface: Ethernet 10/100 Based-T communication.
- ◇ COMM.: Support TCP/IP, UDP, ICMP, ARP
- ◇ Protocol: ASCII Format , Modbus/TCP
- ◇ Isolation Digital Input:
  - Channel: 12 channels (DI0~DI11)
  - Input Level: Logic level status can be inverted via ASCII/Modbus command.
  - Digital input: Iso. single ended with common source.
  - **Wet Contact** :
    - ✓ Logic level 1(active) : +5V to +30VDC max.
    - ✓ Logic level 0 (inactive): +2VDC max
  - Input Impedance: 2K ohm
  - counter input: 500Hz counter input (32-bit)
- Optical Isolation Voltage: 3750Vrms
- ◇ Counter:
  - Channel: 2 (C0=DI12, C1=DI13)
  - Input level:
    - ◆ Logic level 1 (active) : +5V to 30VDC max
    - ◆ Logic level 0 (inactive) : +2 Vac max

- Maximum Count: 4,294,967,285(32 bit)
- Input Impedance: 2K ohm(Wet Contact)
- Input frequency: 4500 Hz max.
- Optical Isolation Voltage: 3750Vrms
- ◇ Isolation Digital Output :
  - Digital Output: isolated Open collector (NPN) .
  - Channel: 2 channels (DO0~DO1)
  - Output logical level: Logic level status can be inverted via ASCII/Modbus command.
  - Open Collector to +5 ~ 30V / 500 mA max load.
  - Each channel supports 500Hz pulse output
  - Optical Isolation Voltage: 3750Vrms
- ◇ Display: Status LED indicator
- ◇ Power Requirement:
  - Power Consumption: 1.8 W (Typical)
  - Power Input: +10 ~ +30 VDC
  - Humidity : 5 ~ 95% RH, non-condensing

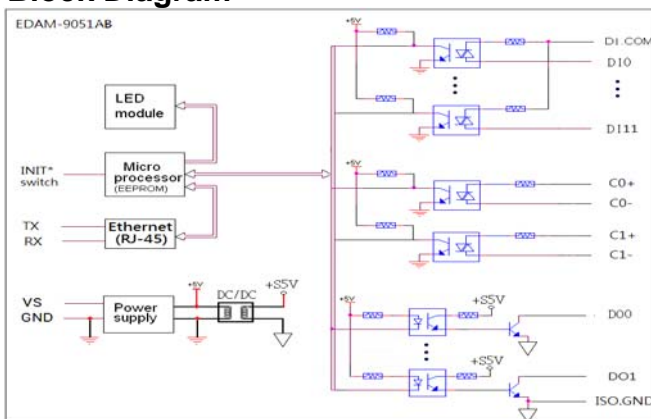
## Order information

### EDAM-9051AB :

12 channels digital input , 2 channels output and 2 channels counter module.

## Flexible OEM/ODM design

## Block Diagram



## Wire Connection

