

# EDAM-9054A

8 differential digital input channels and 2 digital output channels module



## Features

- ◆ Support Modbus/TCP, TCP/IP, UDP, ICMP, ARP
- ◆ Ethernet 10/100 Based-T Communication
- ◆ Support 2 Isolated digital output channels.
- ◆ Provide Pulsed/delay Output Mode
- ◆ Support 8 Isolated **differential** Input channels.
- ◆ Provide Counter/ Frequency Inputs Mode
- ◆ Fully Photo-Isolation 3750Vrms
- ◆ Status LED indicator

## Specifications

- ◇ Interface: Ethernet 10/100 Based-T communication.
- ◇ COMM.: Support TCP/IP, UDP, ICMP, ARP
- ◇ Protocol: ASCII Format , Modbus/TCP
- ◇ Isolation Digital Input:
  - Channel: 8 channels (DI0~DI7)
  - Digital input: isolated **differential input** (sink/source).
  - Input Level: Logic level status can be inverted via ASCII/Modbus command.
    - ✓ Logical level 0 : +1Vdc Max.
    - ✓ Logical level 1 : +10V ~ +50Vdc
  - Input Impedance: 10K ohm
  - counter input: 500Hz counter input (32-bit + 1-bit overflow)
  - Optical Isolation Voltage: 3750Vrms
- ◇ Isolation Digital Output :
  - Outpu type: isolated **Open drain**(P-MOSFET).
  - Channel: 2 channels

- Output logical level: Logic level status can be inverted via ASCII/Modbus command.
- Output load voltage: +5V ~ +30Vdc
- Max load current : 3 A/per channel.
- Each channel supports 1KHz pulse output
- Optical Isolation Voltage: 3750 Vrms
- ◇ Display: Status LED indicator
- ◇ Power Requirement:
  - Power Consumption: 2.0W (Typical)
  - Power Input: +10 ~ +30 VDC
  - Humidity : 5 ~ 95% RH, non-condensing

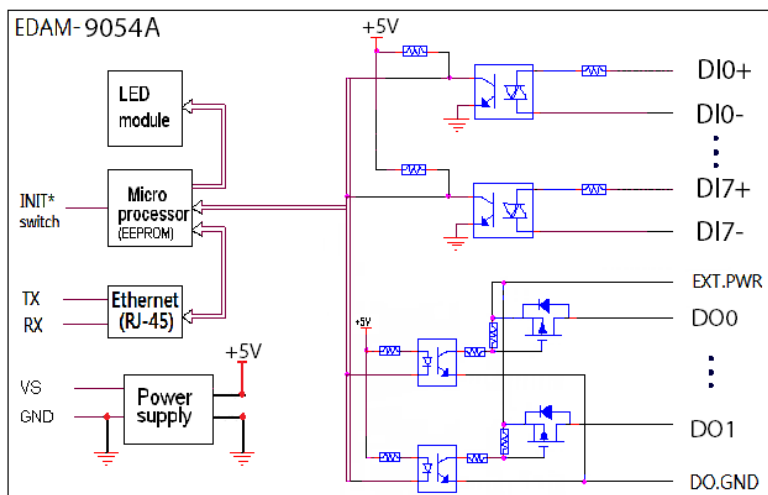
## Order information

### EDAM-9054A :

8 channels digital input and 2 channels output module.

## Flexible OEM/ODM design

## Block Diagram



## Wire Connection

