

# EDAM-9060A

5 digital input channels and 3 relay output channels module



## Features

- ◆ Support Modbus/TCP, TCP/IP, UDP, ICMP, ARP
- ◆ Ethernet 10/100 Based-T Communication
- ◆ Support 3 relay ch. (RL1/Form A, RL2/3 Form C)
- ◆ Provide Pulsed/delay Output Mode
- ◆ Support 5 Isolated digital Input Channels
- ◆ Provide Counter/ Frequency Inputs Mode
- ◆ Support Dry/ Wet Contact Inputs
- ◆ Fully Photo-Isolation 3750Vrms
- ◆ Status LED indicator

## Specifications

- ◇ Interface: Ethernet 10/100 Based-T communication.
- ◇ COMM.: Support TCP/IP, UDP, ICMP, ARP
- ◇ Protocol: ASCII Format , Modbus/TCP
- ◇ Isolation Digital Input:
  - Channel: 5 channels (DI0~DI4)
  - Input Level: Logic level status can be inverted via ASCII/Modbus command.
  - Digital input: Isolated single ended with common source.
  - Dry Contact :
    - ✓ Logic level 1(active) : Close to GND
    - ✓ Logic level 0 (inactive): Open
  - Wet Contact :
    - ✓ Logic level 1(active) : +4V to 30VDC max
    - ✓ Logic level 0 (inactive): +2VDC max
  - Input Impedance: 3K ohm (Wet Contact)
  - counter input: 500Hz counter input (32-bit + 1-bit overflow)
  - Optical Isolation Voltage: 3750Vrms

- ◇ Relay Output :
  - Relay Channels: 3 Relay output (RL1~RL3)
  - Relay Type: RL1/Form A, RL2/3 Form C
  - Relay contact rating : 0.6A/125Vac, 2A/30Vdc
  - Surge strength: 500V
  - Operate Time: 3mS max.
  - Release Time: 2mS max.
  - Min Life: 5\*10<sup>5</sup> ops.
  - Each channel supports 500Hz pulse output
- ◇ Display: Status LED indicator
- ◇ Power Requirement:
  - Power Consumption: 1.8 W (Typical)
  - Power Input: +10 ~ +30 VDC
  - Humidity : 5 ~ 95% RH, non-condensing

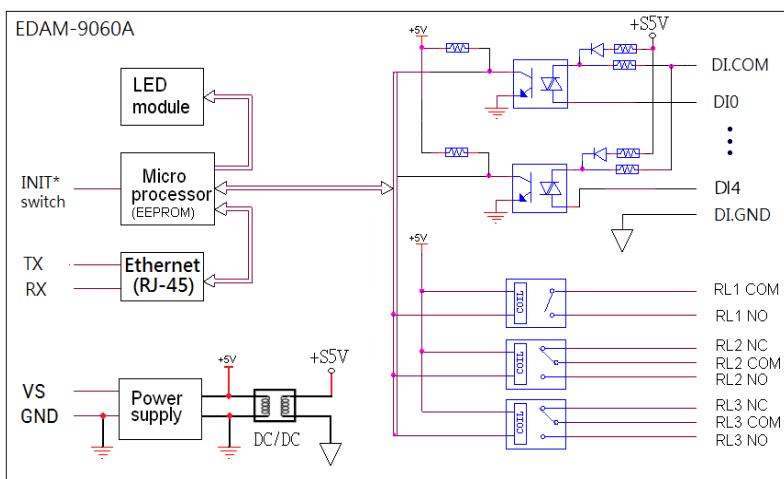
## Order information

### EDAM-9060A :

5 channels digital input and 3 relay module

## Flexible OEM/ODM design

## Block Diagram



## Wire Connection

