

EDAM-9063A

7 digital input channels and 3 relay output channels module



Features

- ◆ Support Modbus/TCP, TCP/IP, UDP, ICMP, ARP
- ◆ Ethernet 10/100 Based-T Communication
- ◆ Support 3 relay output channels (Form A)
- ◆ Provide Pulsed/delay Output Mode
- ◆ Support 7 Isolated digital Input Channels
- ◆ Provide Counter/ Frequency Inputs Mode
- ◆ Support Dry/ Wet Contact Inputs
- ◆ Fully Photo-Isolation 3750Vrms
- ◆ Status LED indicator

Specifications

- ◇ Interface: Ethernet 10/100 Based-T communication.
- ◇ COMM.: Support TCP/IP, UDP, ICMP, ARP
- ◇ Protocol: ASCII Format, Modbus/TCP
- ◇ Isolation Digital Input:
 - Channel: 7 channels (DI0~DI6)
 - Input Level: Logic level status can be inverted via ASCII/Modbus command.
 - Digital input: Isolated single ended with common source.
 - Dry Contact :
 - ✓ Logic level 1(active) : Close to GND
 - ✓ Logic level 0 (inactive): Open
 - Wet Contact :
 - ✓ Logic level 1(active) : +10V to 50VDC max
 - ✓ Logic level 0 (inactive): +2VDC max
 - Input Impedance: 10K ohm (Wet Contact)
 - Counter input: 500Hz counter input (32-bit + 1-bit overflow)
 - Optical Isolation Voltage: 3750Vrms

- ◇ Relay Output :
 - Relay Channels: 3 Relay output (DO0~DO2)
 - Relay Type: Form-A
 - Relay contact rating : 5A/250Vac, 5A/30Vdc
 - Surge strength: 4000V
 - Operate Time: 6mS max.
 - Release Time: 3mS max.
 - Min Life: 105 ops.
 - Each channel supports 500Hz pulse output
- ◇ Display: Status LED indicator
- ◇ Power Requirement:
 - Power Consumption: 2.4 W (Typical)
 - Power Input: +10 ~ +30 VDC
 - Humidity : 5 ~ 95% RH, non-condensing

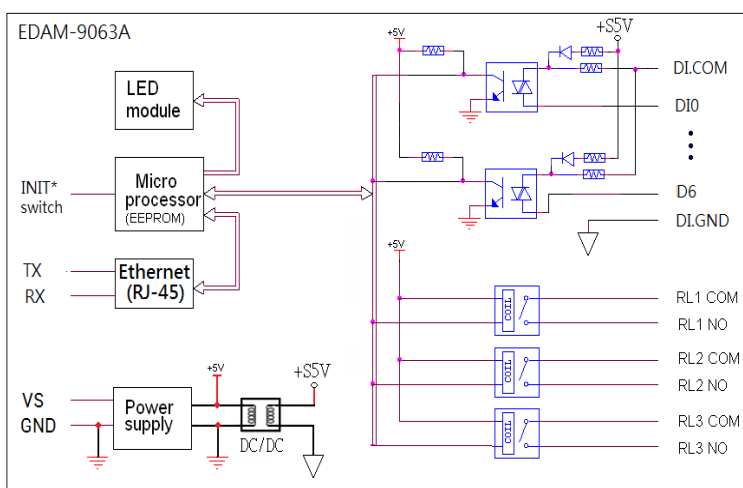
Order information

EDAM-9063A :

7 channels digital input and 3 relay module

Flexible OEM/ODM design

Block Diagram



Wire Connection

