

EDAM-9050(A)

12 digital input channels (*Dry contact*) and 6 digital output channels module



Features

- ◆ Support Protocol Modbus/TCP, TCP/IP, UDP, ICMP, ARP
- ◆ Ethernet 10/100 Based-T Communication
- ◆ Support 6 Isolated digital output channels (NPN)
- ◆ Provide Pulsed/delay Output Mode
- ◆ Provide 500mA/per output channel
- ◆ Support 12 Isolated digital Input Channels
- ◆ Provide Counter/ Frequency Inputs Mode
- ◆ Support *Dry Contact* Inputs
- ◆ Fully Photo-Isolation 3750Vrms
- ◆ Status LED indicator

Specifications

Interface:

Communication	10/100 Based-T Ethernet
Protocol	Modbus/TCP, TCP/IP, UDP, ICMP and ARP
LED Indication	Status LED indicator

Digital Input:

Input Channels	12
Digital input	Isolated single ended with common source.
Input Level	Logic level status can be inverted via ASCII / Modbus command.
<i>Dry Contact</i>	Logic level 1 (active): Close to GND Logic level 0 (inactive): Open
Counter/Frequency	Each channel supports 1KHz counter or frequency input (32-bit + 1-bit overflow)
Isolation Voltage	3750Vrms

Digital Output :

Channels	6 channels
Output Type	isolated Open collector (NPN)
Output logical level	Logic level status can be inverted via ASCII / Modbus command.
Output load voltage	+5V ~ +30Vdc
Max load current	500mA/per channel .
Pulse output	Each channel supports 1KHz pulse output
Optical Isolation	3750 Vrms

Power Requirement :

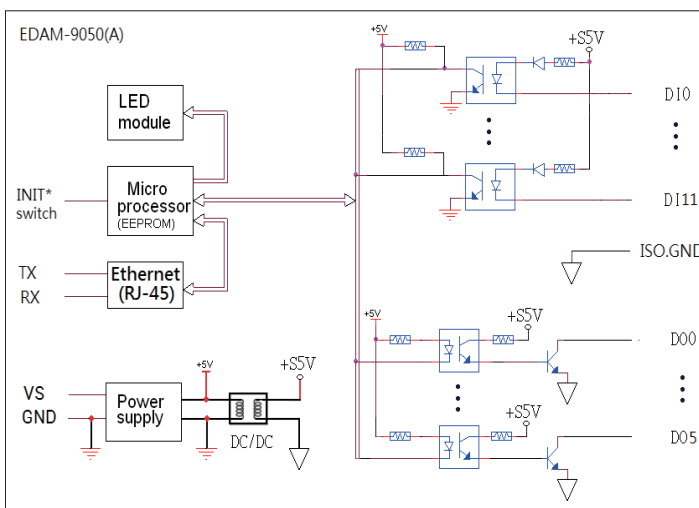
Power Consumption	1.8 W (Typical)
Power Input	10~30VDC (unregulated)
Humidity	5 ~ 95% RH, non-condensing

Order information:

EDAM-9050(A)	12 channels digital input(<i>Dry contact</i>) and 6 channels output module.
EDAM-9050AB	12 channels digital input(<i>Wet contact</i>) and 6 channels output module.

Flexible OEM/ODM design

Block Diagram



Wire Connection

