



IES-1162GC

Industrial 18-port unmanaged Ethernet switch with 16x10/100Base-T(X) and 2xGigabit combo ports, SFP socket

Features

- Provides 16x10/100Base-T(X) and 2xGigabit Combo ports
- RJ-45 port support Auto MDI/MDI-X switching function
- SFP supports 1000Base-X Mode
- Provides Store-and-Forward switching architecture
- Provides 7.2Gbps Back-plane (Switching Fabric)
- Supports 1M bits packet buffer
- Warning system by relay output
- Rigid IP-30 housing design
- DIN-Rail and panel mounting enabled

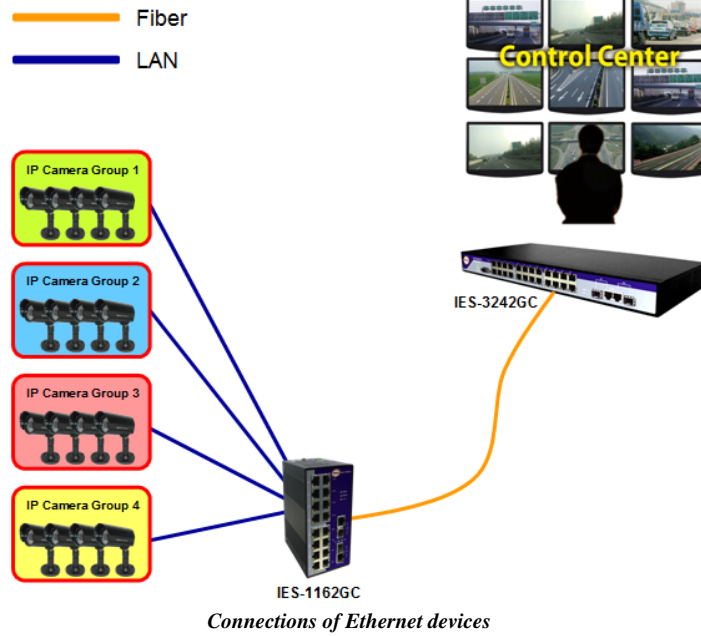


Introduction

IES-1162GC is unmanaged Ethernet switches with 16x10/100Base-T(X) and 2xGigabit Combo port Ethernet Switch. IES-1162GC support redundant power inputs, relay output alarm, and surge protection. The wide operating temperature range from -40°C to 70°C can satisfy most of operating environments.

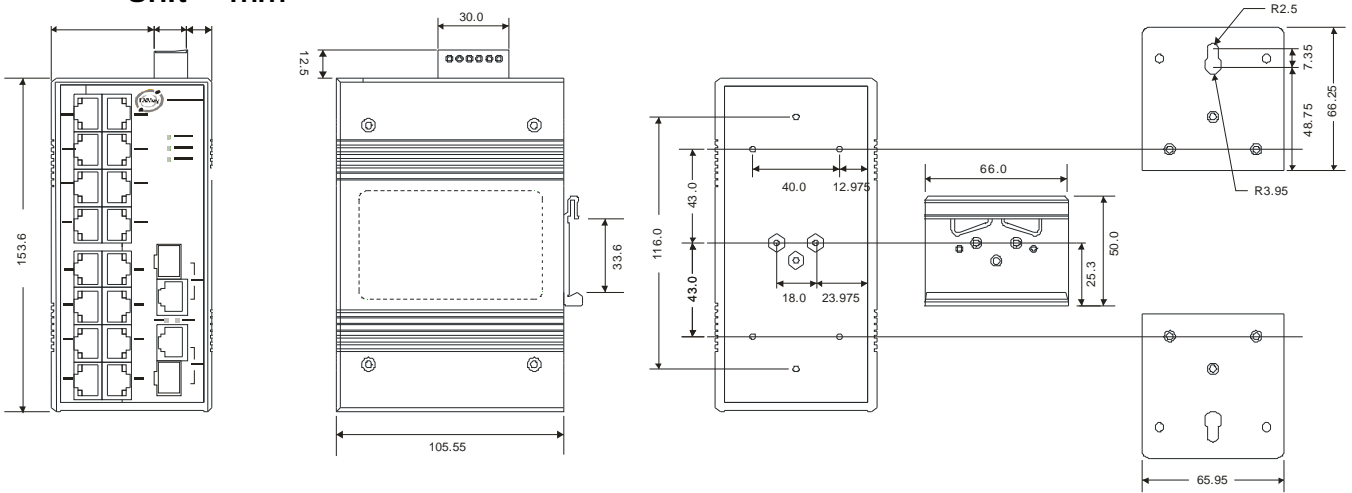
Practical Operation

IES-1162GC is usually deployed for connecting several Ethernet devices, such like Ethernet I/O, IP-Camera, etc. The designs of rugged housing and wide operating temperature, range form -40 ~ 70 °C, makes IES-1162GC reliably in any kinds of industrial applications. Especially, IES-1162GC features three different redundant DC power inputs, two DC power inputs are on terminal block and other is on DC power jack, to avoid any unexpected fails on power on. Thus, IES-1162GC could guarantee a non-stop operation.



Dimension

Unit = mm



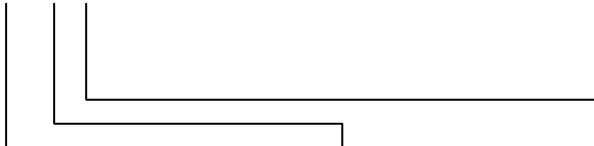
Specifications

ORing Switch Model	IES-1162GC
Physical Ports	
10/100 Base-T(X) Ports in RJ45 Auto MDI/MDIX	16
1000 combo in RJ-45 and SFP	2
Technology	
Ethernet Standards	IEEE 802.3 for 10Base-T, IEEE 802.3u for 100Base-T(X) IEEE 802.3z for 1000Base-X

	IEEE 802.3ab for 1000Base-T(X) IEEE 802.3x for Flow control
MAC Table	8192 MAC addresses
Priority Queues	4
Processing	Store-and-Forward
Switch Properties	Switching latency: 9 us Switching bandwidth: 7.2Gbps
LED indicators	
Power indicator	Green : Power LED x 2
Fault indicator	Amber : Indicate power failure occurred
10/100Base-T(X) RJ45 port indicator	Green for port Link/Act. Amber for Duplex/Collision
10/100/1000Base-T(X) RJ45 port	Green for port Link/Act. Amber for 100Mbps indicator
1000Base-X Fiber port indicator	Green for port Link/Act.
Power	
Redundant Input power	Dual DC inputs. 12 - 48VDC on 6-pin terminal block
Power consumption (Typ.)	9 Watts
Overload current protection	Present
Reverse polarity protection	Present on terminal block
Physical Characteristic	
Enclosure	IP-30
Dimension (W x D x H)	72(W)x105(D)x152(H) mm (2.83x4.17x5.98 inch)
Weight (g)	1010 g
Environmental	
Storage Temperature	-40 to 85°C (-40 to 185°F)
Operating Temperature	-40 to 70°C (-40 to 158°F)
Operating Humidity	5% to 95% Non-condensing
Regulatory approvals	
EMI	FCC Part 15, CISPR (EN55022) class A
EMS	EN61000-4-2 (ESD), EN61000-4-3 (RS), EN61000-4-4 (EFT), EN61000-4-5 (Surge), EN61000-4-6 (CS), EN61000-4-8, EN61000-4-11
Shock	IEC60068-2-27
Free Fall	IEC60068-2-32
Vibration	IEC60068-2-6
Safety	EN60950
Warranty	5 years

Ordering Information

IES-1AABCC



Code	10/100TX	Additional Port	Additional Port Type
Definition	Port Number	Number	
Option	- 16: 16 ports	- 2: 2 ports	-GC: Gigabit combo with SFP socket

Available Model	Model Name	Description
	IES-1162GC	Industrial 18-port unmanaged Ethernet switch with 16x10/100Base-T(X) and 2xGigabit combo ports, SFP socket

Packing List

- IES-1162GC x 1
- Din-Rail Kit x 1
- Wall-Mount Kit x 1
- Quick Installation Guide x 1

Optional Accessories

- SFP1G series : 1Gbps SFP optical transceiver
- DR-45 series : 45 Watts power supply
- DR-75 series : 75 Watts power supply
- DR-120 series : 120 Watts power supply

