



IMC-P111FX / IMC-P111P Series

Industrial IEC 61850-3 Ethernet to fiber media converter with 1x10/
100Base-T(X) to 1x100Base-FX fiber or 1x100Base-FX SFP socket



Features

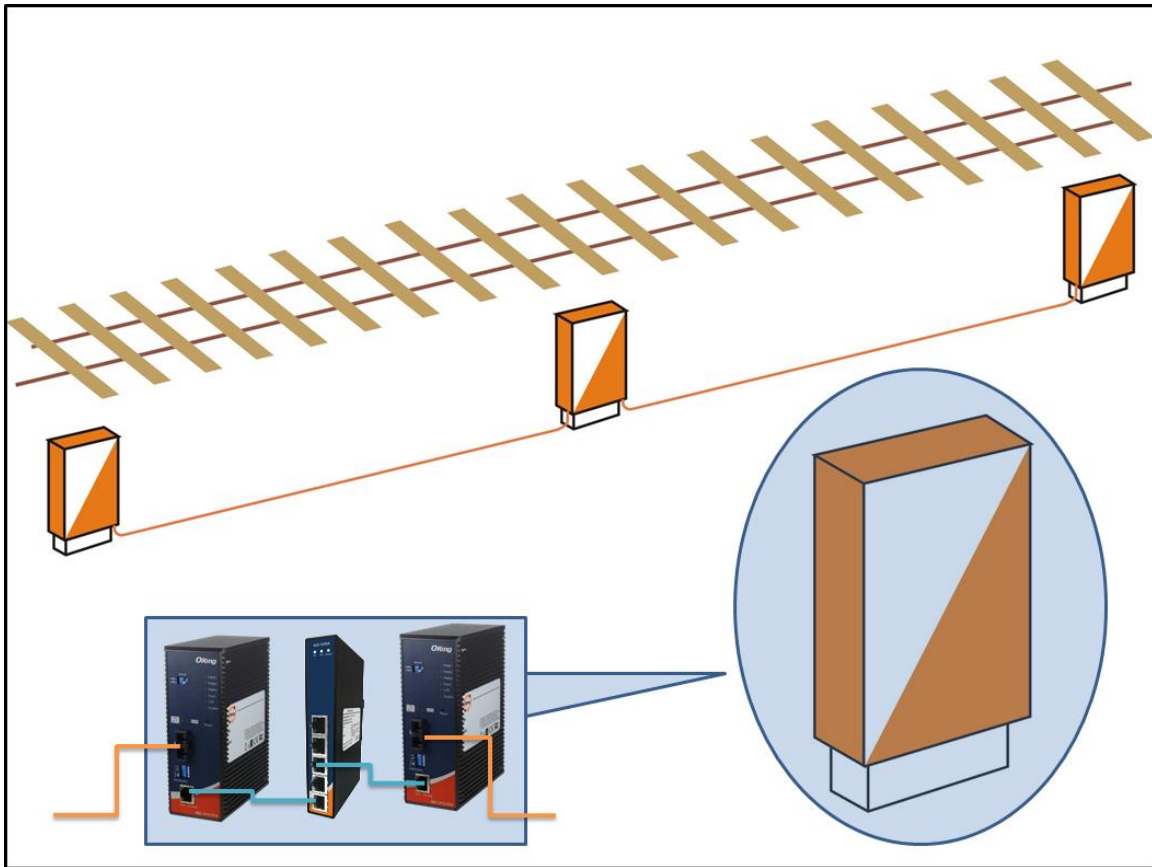
- Designed for Railway application and fully compliant with the requirement of IEC 61850-3 and IEEE 1613
- Leading EN50155-compliant Ethernet switch for rolling stock application
- Supports 1 port 10/100Base-T(X) auto-negotiation and auto-MDI/MDI-X
- Support Ethernet to fiber or Ethernet to SFP port
- Support LFP (Link Fault Pass-through) function
- Supports full/half duplex operation
- Supports store and forward transmission
- Supports relay output for power failed alarm
- Provided DIP-Switch to setting function
- High reliability and rigid IP-30 housing
- DIN-Rail and wall mounting enabled



Introduction

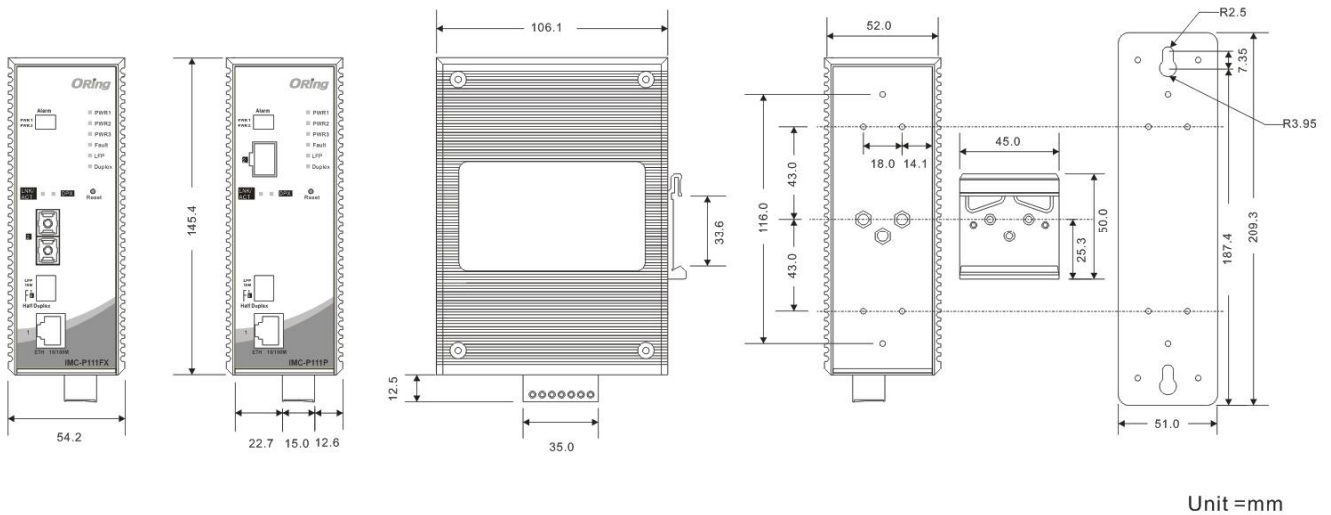
IMC-P111 series is a cost-effective solution for the conversion between 10/100Base-T(X) and 100Base-FX interface; it allows you to extend communication distance by optical fiber. IMC-P111 series are designed for power substation application and rolling stock application, fully compliant with the requirement of IEC 61850-3 and IEEE 1613. IMC-P111 series supports MDI/MDIX auto detection, so you don't need to use crossover wires. IMC-P111 series with wide operating temperature range from -40 ~ 85°C and accepts a wide voltage range power inputs, so it is suitable for harsh operating environments.

IMC-P111 series also support the LFP (Link Fault Pass-through) feature. When one side of the link fails, the other side continues transmitting packets, and waiting for a response that never arrives from the disconnected side. Use the DIP-Switch to enable the LFP function, then IMC-P111 series will force the link to shutdown as soon as noticed that the other link has failed, giving the application software a chance to react to the situation. Therefore, the IMC-P111 series is reliable media converter and can satisfy most demand of power substation and rolling stock application.

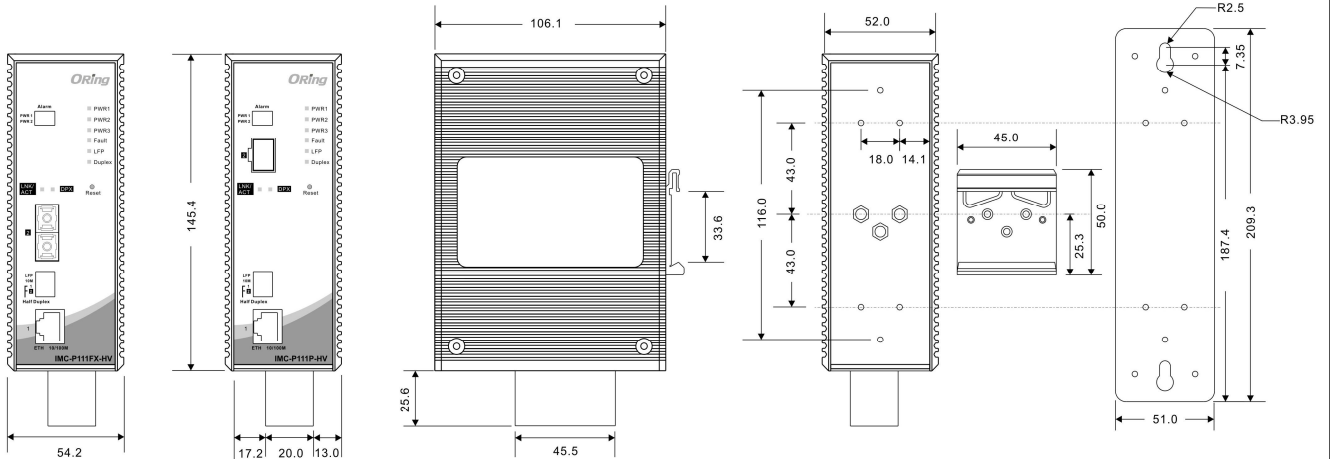


Dimension

IMC-P111-LV Series



IMC-P111-HV Series



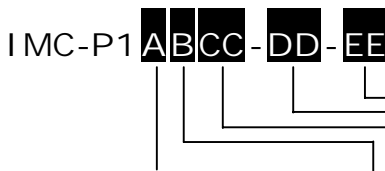
Unit = mm

Specifications

| ORing Media Converter Model | IMC-P111FX-MM | IMC-P111FX-SS | IMC-P111P |
|---|--|--------------------------|-------------|
| Physical Ports | | | |
| 10/100 Base-T(X) Port in RJ45 Auto MDI/MDIX | 1 | 1 | 1 |
| Fiber Port Specification | Fiber Ports Number | 1 | - |
| | Fiber Ports Standard | 100Base-FX | 100Base-FX |
| | Fiber Mode | Multi-mode | Single-mode |
| | Fiber Diameter (μm) | 62.5/125 μm 50/125 μm | 9/125 μm |
| | Fiber Optical Connector | SC | SC |
| | Typical Distance (Km) | 2 Km | 30 Km |
| | Wavelength (nm) | 1310 nm | 1310 nm |
| | Max. Output Optical Power (dbm) | -14 dbm | -8 dbm |
| | Min. Output Optical Power (dbm) | -23.5 dbm | -15 dbm |
| | Max. Input Optical Power (Saturation) | 0 dbm | 0 dbm |
| | Min. Input Optical Power (Sensitivity) | -31 dbm | -34 dbm |
| Link Budget (db) | 7.5 db | 19 db | |
| 100Base-FX SFP port | - | - | 1 |
| Technology | | | |
| Ethernet Standards | IEEE 802.3 for 10Base-T IEEE 802.3u for 100Base-T(X) and 100Base-FX IEEE 802.3x for Flow control | | |
| Processing | Store-and-Forward | | |
| DIP-Switch setting | DIP-Switch 1 for LFP mode selection : (ON) enable / (OFF) disable DIP-Switch 2 for Ethernet speed selection : (ON)10Mbps / (OFF) 10/100Mbps Auto-negotiate DIP-Switch 3 for Ethernet full/half duplex selection : (ON) Half-duplex / (OFF) Full/Half-Duplex Auto-negotiate DIP-Switch 4 for fiber full/half duplex selection : (ON) Half-Duplex / (OFF) Full-Duplex | | |
| Alarm DIP-Switch | | | |
| DIP-Switch 1 | Power-1 failed warning : (ON) enable, (OFF) disable | | |
| DIP-Switch 2 | Power-2 failed warning : (ON) enable, (OFF) disable | | |
| LED indicators | | | |
| Power indicator | Green : Power LED x 3 (ON : power input on-line / (OFF) power input off-line | | |
| 10/100Base-T(X) RJ45 port indicator | Green for port Link/Act – (ON) Link up / (Blinking) Acting / (OFF) Link down Amber for port duplex indicator – (ON) Full-Duplex / (OFF) Half-Duplex | | |

| | | | |
|---------------------------------|---|--|--|
| 100Base-FX fiber port indicator | Green for fiber port Link/Act - (ON) Link up / (Flash) Acting / (OFF) Link down Amber for fiber port duplex indicator - (ON) Full-Duplex / (OFF) Half-Duplex | | |
| LFP status indicator | Amber LED - (ON) LFP function fail / (OFF) LFP function disable | | |
| Fault indicator | Amber : Indicate unexpected event occurred | | |
| Duplex indicator | Green for port duplex indicator - (ON) Full-Duplex / (OFF) Half-Duplex | | |
| Power | | | |
| LV Model Input Power | Triple DC inputs. Dual 12~48VDC on 7-pin terminal block, one 12~45VDC on power jack | | |
| HV Model Input Power | Dual 100~240VAC power inputs on 8-pin terminal block | | |
| Power consumption (Typ.) | LV model : 12 Watts, HV model : 100VAC/4.8Watts, 240VAC/5.8Watts) | LV model : 12 Watts HV model : 100VAC/4.8Watts, 240VAC/5.8Watts) | LV model : 12 Watts HV model : 100VAC/4.8Watts, 240VAC/5.8Watts) |
| Overload current protection | Present | | |
| Reverse polarity protection | Present on terminal block | | |
| Physical Characteristic | | | |
| Enclosure | IP-30 | | |
| Dimension (W x D x H) | 52(W) x 106.1(D) x 144.3(H) mm (2.05x4.18x5.68 Inch.) | | |
| Weight (g) | LV model : 660 g HV model : 802 g | LV model : 650g HV model : 792 g | |
| Environmental | | | |
| Storage Temperature | -40 to 85°C (-40 to 185°F) | | |
| Operating Temperature | -40 to 85°C (-40 to 185°F) | | |
| Operating Humidity | 5% to 95% Non-condensing | | |
| Regulatory approvals | | | |
| Power Automation | IEC 61850-3, IEEE 1613 | | |
| EMI | FCC Part 15, CISPR (EN55022) class A, EN50155 (EN50121-3-2, EN55011, EN50121-4) | | |
| EMS | EN61000-4-2 (ESD), EN61000-4-3 (RS), EN61000-4-4 (EFT), EN61000-4-5 (Surge), EN61000-4-6 (CS), EN61000-4-8, EN61000-4-11 | | |
| Shock | IEC60068-2-27 | | |
| Free Fall | IEC60068-2-32 | | |
| Vibration | IEC60068-2-6 | | |
| Safety | EN60950-1 | | |
| Warranty | 5 years | | |

Ordering Information



| Code | 10/100Base-T(X) Port Number | 100Base-FX Fiber Port Number | Fiber Port Type | Fiber Optical Mode | Fiber Optical Connector |
|------------------------|--|---------------------------------|--|---|----------------------------|
| Option | - 1: 1 ports | - 1: 1 port | - FX : 100Base-FX fiber - P : 100Base-FX SFP | - MM : Multi-mode - SS : Single-mode | - SC : SC connector |
| Available Model | Model Name IMC-P111FX-MM-SC-LV | | Description Industrial IEC 61850-3 Ethernet to fiber media converter with 1x10/100Base-T(X) and 1x100Base-FX, multi-mode, 2Km/1310nm, SC connector, low-voltage power inputs | | |

| | |
|--|--|
| IMC-P111FX-SS-SC-LV | Industrial IEC 61850-3 Ethernet to fiber media converter with 1x10/100Base-T(X) and 1x100Base-FX, single-mode, 30Km/1310nm, SC connector, low-voltage power inputs |
| IMC-P111FX-MM-SC-HV_US | Industrial IEC 61850-3 Ethernet to fiber media converter with 1x10/100Base-T(X) and 1x100Base-FX, multi-mode, 2Km/1310nm, SC connector, high-voltage power inputs, US power cord |
| IMC-P111FX-SS-SC-HV_US | Industrial IEC 61850-3 Ethernet to fiber media converter with 1x10/100Base-T(X) and 1x100Base-FX, single-mode, 30Km/1310nm, SC connector, high-voltage power inputs, US power cord |
| IMC-P111FX-MM-SC-HV_UK | Industrial IEC 61850-3 Ethernet to fiber media converter with 1x10/100Base-T(X) and 1x100Base-FX, multi-mode, 2Km/1310nm, SC connector, high-voltage power inputs, UK power cord |
| IMC-P111FX-SS-SC-HV_UK | Industrial IEC 61850-3 Ethernet to fiber media converter with 1x10/100Base-T(X) and 1x100Base-FX, single-mode, 30Km/1310nm, SC connector, high-voltage power inputs, UK power cord |
| IMC-P111FX-MM-SC-HV_EU | Industrial IEC 61850-3 Ethernet to fiber media converter with 1x10/100Base-T(X) and 1x100Base-FX, multi-mode, 2Km/1310nm, SC connector, high-voltage power inputs, EU power cord |
| IMC-P111FX-SS-SC-HV_EU | Industrial IEC 61850-3 Ethernet to fiber media converter with 1x10/100Base-T(X) and 1x100Base-FX, single-mode, 30Km/1310nm, SC connector, high-voltage power inputs, EU power cord |
| IMC-P111FX-MM-SC-HV_JP | Industrial IEC 61850-3 Ethernet to fiber media converter with 1x10/100Base-T(X) and 1x100Base-FX, multi-mode, 2Km/1310nm, SC connector, high-voltage power inputs, JP power cord |
| IMC-P111FX-SS-SC-HV_JP | Industrial IEC 61850-3 Ethernet to fiber media converter with 1x10/100Base-T(X) and 1x100Base-FX, single-mode, 30Km/1310nm, SC connector, high-voltage power inputs, JP power cord |
| IMC-P111P-LV | Industrial IEC 61850-3 Ethernet to fiber media converter with 1x10/100Base-T(X) and 1x100Base-FX, SFP socket, low-voltage power inputs |
| IMC-P111P-HV_US (Preliminary) | Industrial IEC 61850-3 Ethernet to fiber media converter with 1x10/100Base-T(X) and 1x100Base-FX, SFP socket, high-voltage power inputs, US power cord |
| IMC-P111P-HV_UK (Preliminary) | Industrial IEC 61850-3 Ethernet to fiber media converter with 1x10/100Base-T(X) and 1x100Base-FX, SFP socket, high-voltage power inputs, UK power cord |
| IMC-P111P-HV_EU (Preliminary) | Industrial IEC 61850-3 Ethernet to fiber media converter with 1x10/100Base-T(X) and 1x100Base-FX, SFP socket, high-voltage power inputs, EU power cord |
| IMC-P111P-HV_JP (Preliminary) | Industrial IEC 61850-3 Ethernet to fiber media converter with 1x10/100Base-T(X) and 1x100Base-FX, SFP socket, high-voltage power inputs, JP power cord |

❏ Packing List

- IMC-P111FX/P111P x 1
- Wall-Mount Kit x 1
- Quick Installation Guide x 1
- Din-Rail Kit x 1

❏ Optional Accessories

- SFP100 series : 100Mbps SFP optical transceiver
- DR-75 series : 75 Watts power supply
- DR-45 series : 45 Watts power supply
- DR-120 series : 120 Watts power supply