

IDS-5611-WG

Industrial security 1-port RS232/422/485 to 802.11 b/g WLAN and 1-port 10/100TX Device Server

Highlights

- Data Security: SSL encryption
- Internet Community: PPPoE
- DNS Hostname: DDNS
- High Speed Air Connectivity: WLAN interface support up to 54Mbps link speed
- Highly Security Capability: WEP/WPA/WPA2/802.1X/TKIP supported
- NAT-pass through: User can manage IDS-5611-WG through NAT router
- Redundant Power Inputs: 12~48VDC on power jack and terminal block
- Redundant multiple host devices: 5 simultaneous in Virtual COM, TCP Server, TCP Client mode, UDP
- Secured Management by HTTPS and SSH
- Management by Console
- Versatile Modes: Virtual Com, Serial Tunnel, TCP Server, TCP Client, UDP
- Event Warning by Syslog, Email, SNMP trap, and Beeper
- Various Windows O.S. supported: Windows NT/2000/ XP/ 2003/ VISTA 32 bits



Features

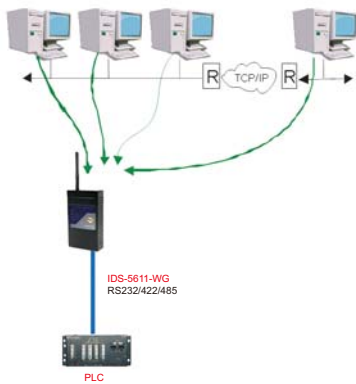
- High Speed with a maximum link speed of 54Mbps With IEEE802.11b/g dual mode capability
- High Security Capability with WEP, WPA, WPA2, and TKIP
- Redundant 5 multiple host devices supported to protect your industrial network
- Versatile modes & event alarm by e-mail
- HTTPs & SSH protocol supported for secured management
- NAT router pass through
- Console command control
- SSL encryption for Security data transfer
- PPPoE for internet community
- DDNS for domain name service
- IP table to prevent access from unauthorized IP address
- Configurable by Web-based and Windows utility (DS-Tool)
- Dual redundant DC power inputs of terminal block and power jack
- Rigid IP-30 housing design
- DIN-Rail and panel mounting enabled

Introduction

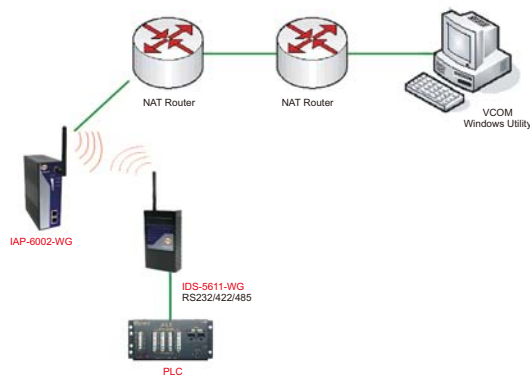
IDS-5611-WG is an innovative 1 port RS232/422/485 to 802.11b/g WLAN and 1 port LAN security device server. Users are able to configure IDS-5611-WG by IDS-Tool via LAN port or WLAN interface, but not simultaneously. Once LAN port is activated, WLAN interface will enter standby mode to minimize power consumption. Secondly, IDS-5611-WG can simultaneously transfer SSL encryption data into 5 host PCs. This feature can assure all critical data that saved in different host PCs to avoid Ethernet break or host PCs failure. Thirdly, IDS-5611-WG provides dual redundant power inputs both on DC power jack and terminal block. IDS-5611-WG also provides NAT pass through function so that users are able to manage IDS-5611-WG inside or outside NAT router. It is easy for different IP domain users to use the Switch. Therefore, IDS-5611-WG is one of the best security communication solutions for wireless application of serial devices.

DS-Tool

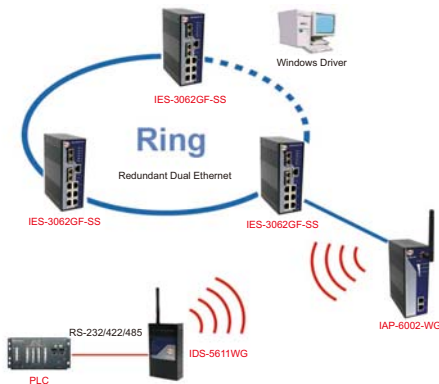
In practical operation of serial device servers, Windows utility (DS-Tool) is supported. This utility is very helpful for you to manage and monitor all of industrial device servers on the industrial network.



Redundancy 5 Host Devices



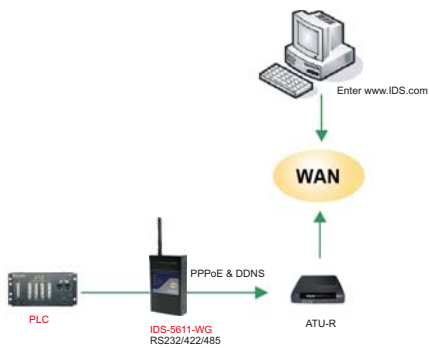
NAT Router Pass Through



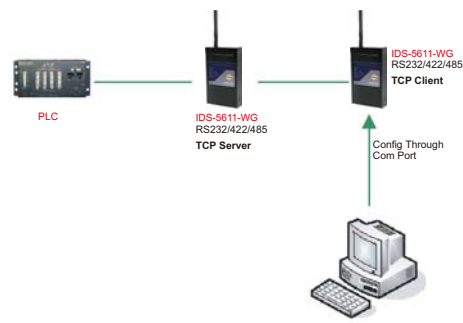
Wireless LAN Client Mode



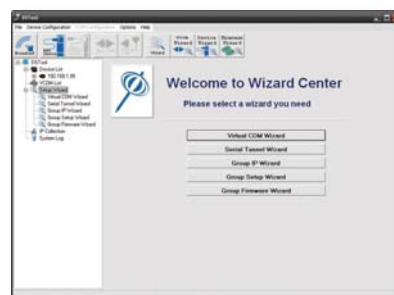
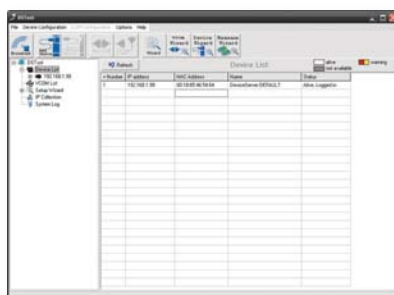
SSL Data Encryption



Connect through PPPoE / DDNS

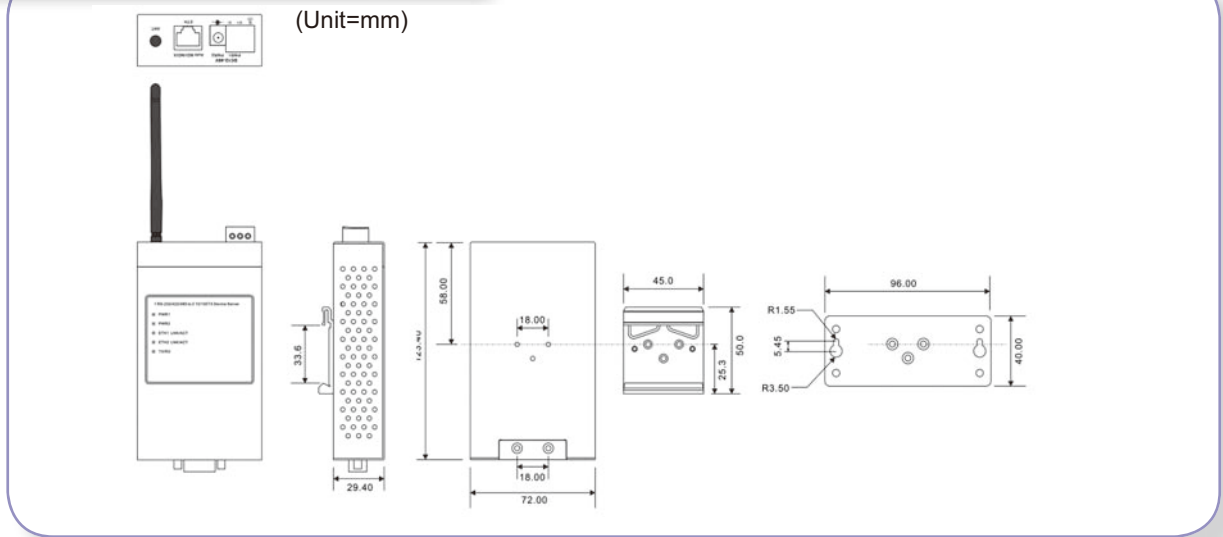


COM Port Command



Monitoring and Configuration interface

Dimension



Specifications

ORing Device Server Model	IDS-5611-WG
Physical Ports	
10/100 Base-T(X) Ports in RJ45 Auto MDI/MDIX	1
WLAN Feature	
WLAN Standard	IEEE 802.11b/g
Operating Mode	Client mode
Antenna Connector	Reverse SMA
Radio Frequency Type	DSSS
Modulation	IEEE802.11b: CCK, DQPSK, DBPSK IEEE802.11g: OFDM with BPSK, QPSK, 16QAM, 64QAM
Frequency	America/FCC: 2.412~2.462 GHz (11 channels) Europe CE/ETSI: 2.412~2.472 GHz (13 channels)
Transmission Rate	IEEE802.11b: 1/ 2/ 5.5/ 11 Mbps IEEE802.11g: 6/ 9/ 12/ 18/ 24/ 36/ 48/ 54 Mbps
Transmit Power	IEEE802.11b/g: 16dBm
Receiver Sensitivity	-81dBm @ 11Mbps, PER< 8%; -64dBm @ 54Mbps, PER< 10%
Encryption Security	WEP: (64-bit ,128-bit key supported) WPA: WPA2 : 802.11i(WEP and AES encryption) PSK (256-bit key pre-shared key supported) TKIP encryption
Serial Ports	
Connector	DB9 x 1
Operation Mode	RS232 / RS422 / 4(2)-Wire RS485. Which can be configured by DS-Tool
Serial Baud Rate	110 bps to 230.4 Kbps
Data Bits	5, 6, 7, 8
Parity	odd, even, none, mark, space
Stop Bits	1, 1.5, 2
RS-232	TxD, RxD, RTS, CTS, DTR, DSR, DCD, RI, GND
RS-422	Tx+,Tx-, Rx+, Rx-,GND
RS-485 (4-wire)	Tx+,Tx-, Rx+, Rx-,GND

RS-485 (2-wire)	Data+, Data-,GND
Flow Control	XON/XOFF, RTS/CTS, DTR/DSR
LED indicators	
Power indicator	PWR 1(2) / Ready: Red On: Power is on and booting up. Red Blinking: Indicates an IP conflict, or DHCP or BOOTP server did not respond properly. Green On: Power is on and functioning Normally. Green Blinking: Located by Administrator.
10/100TX RJ45 port indicator	Green for port Link/Act at 100Mbps. Yellow for port Link/Act at 10Mbps.
WLAN indicator	WLAN Link /ACT: Green
Serial TX / RX LEDs:	Red: Serial port is receiving data Green: Serial port is transmitting data
Power	
Redundant Input power	Dual DC inputs. 12-48VDC on 3-pin terminal block and power jack
Power consumption (Typ.)	5 Watts
Overload current protection	Present
Reverse polarity protection	Present on terminal block
Physical Characteristic	
Enclosure	IP-30
Dimension (W x D x H)	72(W)x100(D)x31(H) mm (2.83x3.94x1.22 inch.)
Weight (g)	346 g
Environmental	
Storage Temperature	-40 to 85°C(-40 to 185°F)
Operating Temperature	-10 to 55°C (14 to 131°F)
Operating Humidity	5% to 95% Non-condensing
Regulatory approvals	
EMI	FCC Part 15, CISPR (EN55022) class A
EMS	EN61000-4-2 (ESD), EN61000-4-3 (RS), EN61000-4-4 (EFT), EN61000-4-5 (Surge), EN61000-4-6 (CS), EN61000-4-8, EN61000-4-11
Shock	IEC60068-2-27
Free Fall	IEC60068-2-32
Vibration	IEC60068-2-6
Safety	EN60950
Warranty	3 years

Ordering Information

IDS-56 A B - CC

Code Definition	Serial Port Number	Ethernet Port Number	WLAN Identification
Option	- 1: 1 ports	- 1: 1 port	- WG: IEEE802.11 b/g mode

Available Model	Model Name	Description
	IDS-5611-WG	Industrial security 1-port RS232/422/485 to 802.11 b/g WLAN and 1-port LAN Device Server