

APOINT201

IP to Serial Port Converter

- ◆ 10/100Mbps LAN Connection
- ◆ One Local Pass-through RS232 Port
- ◆ Two Remote IP Access RS485 Port



- ★ **32bit 100MHz RISC CPU** higher performance than 16bit CPU.
- ★ **Auto-detecting** 10/100Mbps Ethernet interface.
- ★ Support **Windows NT/2000/XP/Vista** virtual COM drive.
- ★ Support **Windows 7** virtual COM drive.
- ★ Support **TCP server/Client** mode.
- ★ Support **UDP send/receive** mode.
- ★ Support **WEB, TELNET and terminal** setup.
- ★ Support **one local** pass-through RS232 port for RS485 environment.
- ★ Support **two remote** IP access RS485 port for RS485 environment.
- ★ Support **Ground Isolated** feature in RS485 connection.
- ★ Suitable for **RS485** environment to add **IP access** capability.

APORT201 IP to Serial Port Converter Specification :

Hardware Specification:

- *CPU: 32bit 100MHz MIPS CPU.
- *Flash ROM: 16M Byte.
- *SDRAM: 16M Byte.

LAN connection:

- *Interface: 10/100Mbps 100BaseT.
- *connector: RJ45.

Software Compatibility:

- *TCP/IP or UDP/IP connection.
- *WIN 2000/XP/Vista Virtual COM driver.
- *Windows 7 Virtual COM driver.
- *LINUX raw TTY driver.
- *SCO UNIX real TTY driver.

Power Requirement:

- *5VDC @ 1200mA.

Environment :

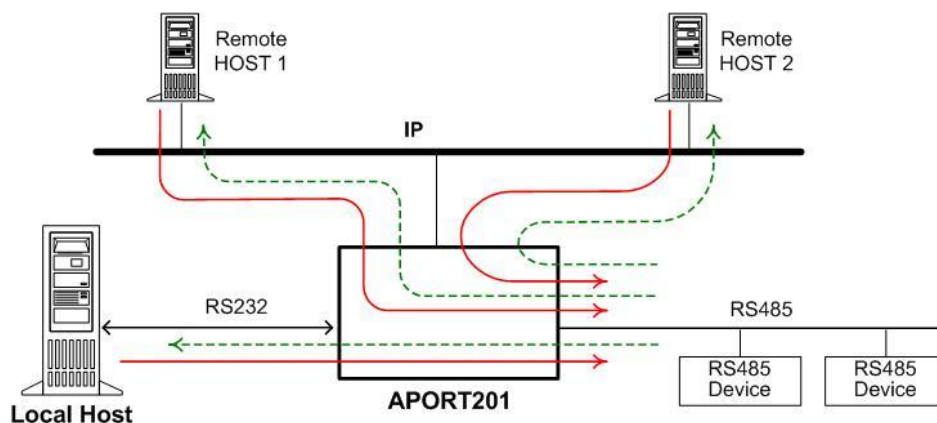
- *Operating temperature: 5--40 °C.
- *Operating humidity: 10--90%RH.
- *Storage temperature: 0--65 °C.
- *Storage humidity: 5--90%RH.

Dimension:

92*118*27mm..

Serial port:

- *Interface:
RS232 in serial port 1
Ground isolated RS422/485 in serial port 2 .
 - *connector: DB9 male.
 - *Port Number: 2.
 - *speed: upto 230400bps.
- NOTE: console port share with serial port 1.
NOTE: serial port 1 is pass-through port for local access.
NOTE: serial port 2 is master virtual COM port for IP access.
NOTE: any data received from local pass-through serial port 1 will be transmitted to serial port 2 only.
NOTE: any data received from remote virtual COM port 1 and 2 will be transmitted to serial port 2 only.
NOTE: any data received from serial port 2 will be transmitted to serial port 1 and virtual COM 1&2.
NOTE: any serial device connect with serial port 2 will be access by local HMI master in serial port 1 or remote HMI master 1 & 2 via IP network.



Other relative product information:

- *APORT200: Ethernet to 2 RS232 port.
- *APORT020: Ethernet to 2 Ground isolated RS232 port.
- *APORT101: Ethernet to 1 RS232 and 1 Ground isolated RS422/485 port.
- *APORT400: Ethernet to 4 RS232 port.
- *APORT040: Ethernet to 4 Ground isolated RS232 port.
- *APORT202: Ethernet to 2 RS232 and 2 Ground isolated RS422/485 port.
- *APORT800: Ethernet to 8 RS232 port.

***All names are the trademarks of their respective organization.



RAYON TECHNOLOGY CO., LTD.

2F, No. 177, Chung-Shan 2 Rd., Lu-Chou city, Taipei Hsien, Taiwan.
TEL: 886-2-82858362 FAX: 886-2-82857065
E-Mail: rayon@ms1.hinet.net
WEB: <http://www.computex.com.tw/rayon>
WEB: <http://www.rayontech.com>