

ILOG333

IP Monitored Interface Converter

- ◆ **10/100Mbps LAN Connection**
 - ◆ **Monitor data flow in any RS232/RS422/RS485 interface**
 - ◆ **Two virtual COM port to monitor**



- ★ **Auto-detecting** 10/100Mbps Ethernet interface.
- ★ Support **Windows NT/2000/XP/Vista** virtual COM drive.
- ★ Support **Windows 7** virtual COM drive.
- ★ Support **UNIX & Linux real TTY** driver.
- ★ Support **TCP server/Client** mode.
- ★ Support **UDP send/receive** mode.
- ★ Support **WEB, TELNET and terminal** setup.
- ★ Support **RS232/RS422/RS485** to **RS232/RS422/485** Converter.
- ★ **Two virtual COM** port to monitor data transmission or trigger data transmission.

ILOG333 IP Monitored Interface Converter Specification:

Hardware Specification:

- *CPU: 32bit 100MHz MIPS CPU.
- *Flash ROM: 16M Byte.
- *SDRAM: 16M Byte.

LAN connection:

- *Interface: 10/100Mbps 100BaseT.
- *connector: RJ45.

Software Compatibility:

- *TCP/IP or UDP/IP connection.
- *WIN NT/2000/XP/Vista Virtual COM driver.
- *Windows 7 Virtual COM driver.
- *LINUX raw TTY driver.
- *SCO UNIX real TTY driver.

Power Requirement:

- *5VDC @ 1200mA.

Environment :

- *Operating temperature: 5--40 °C.
- *Operating humidity: 10--90%RH.
- *Storage temperature: 0--65 °C.
- *Storage humidity: 5--90%RH.

Dimension:

92*118*27mm..

Serial port:

*Interface:
RS232/RS422/RS485.

NOTE: each serial port can set to RS232/RS422/485 via software setup or DIP Switch.

*connector: DB9 male.

*Port Number: 2.

*speed: upto 230400bps.

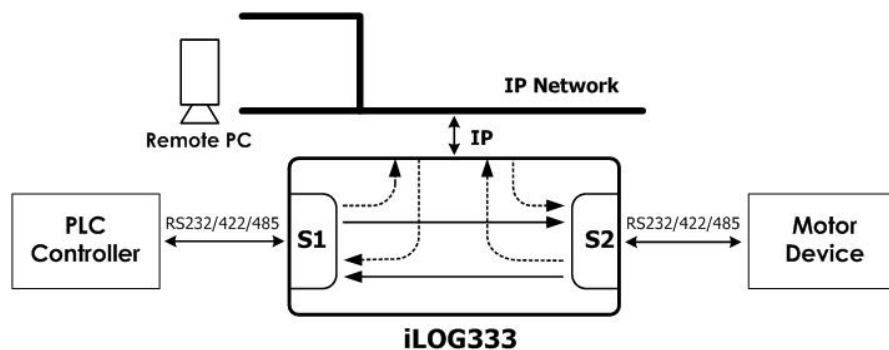
NOTE: console port share with serial port 1

NOTE: Any data received from serial port 1 will be sent to serial port 2 and virtual COM port 1. So we can monitor such data via IP network.

NOTE: Any data received from serial port 2 will be sent to serial port 1 and virtual COM port 2. So we can monitor such data via IP network.

NOTE: Any data from virtual COM port 1 will send to serial port 1. So we can trigger data communication via IP network.

NOTE: Any data from virtual COM port 2 will send to serial port 2. So we can trigger data communication via IP network.



Other relative product information:

- *APORT200: Ethernet to 2 RS232 port.
- *APORT020: Ethernet to 2 Ground isolated RS232 port.
- *APORT400: Ethernet to 4 RS232 port.
- *APORT040: Ethernet to 4 Ground isolated RS232 port.
- *APORT202: Ethernet to 2 RS232 and 2 Ground isolated RS422/485 port.
- *APORT800: Ethernet to 8 RS232 port.

***All names are the trademarks of their respective organization.



RAYON TECHNOLOGY CO., LTD.

2F, No. 177, Chung_Shan 2 Rd., Lu_Chou city, Taipei Hsien, Taiwan.

TEL: 886-2-82858362 FAX: 886-2-82857065

E-Mail: rayon@ms1.hinet.net

WEB: <http://www.computex.com.tw/rayon>

WEB: <http://www.rayontech.com>